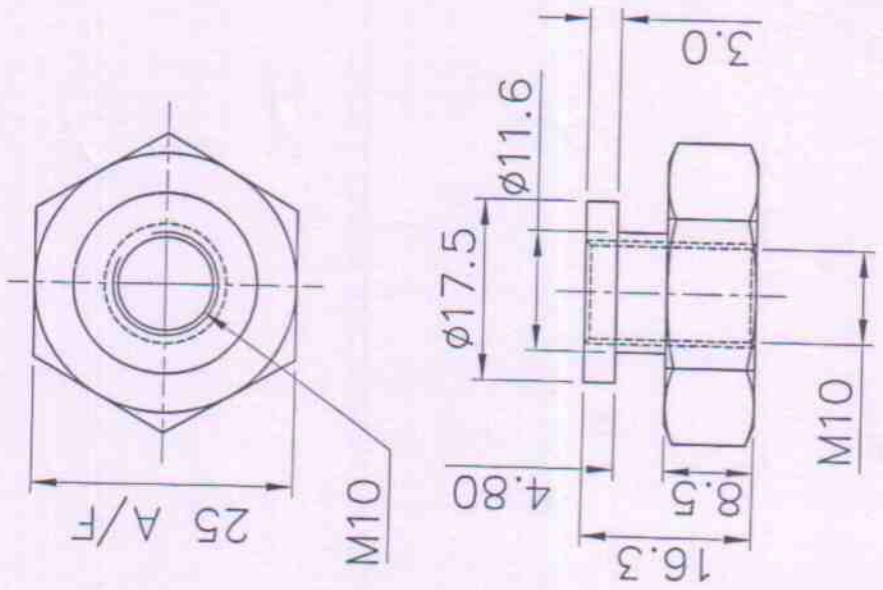


1	2	3	4	5	6	7	8	9	10	11	12
IN DOUBT ASK TO DESIGN DEPT	DO NOT SCALE THE DRAWING	UNLESS OTHERWISE STATED	REMOVES ALL BURRS AND SHARP CORNERS	ALL DIMENSIONS ARE IN MM.	PREFER SURFACE ROUGHNESS	APPROVED	DATE				

RAIL NUT M10 IN HEX



MASTER COPY

VAISHNAVI ENGINEERING			
Item Name :	RAIL NUT (RN M10) IN HEX		
Prepared By	NAME	DATE	INDEX
Approved By	ASHRAF	25/05/2012	Scale
Item Code :		25.06.12	Sheet
(RN M10) IN HEX		DWG-991	1/1
Website : http://www.vehydraulics.com , Email : sales_velock@vehydraulics.com			

This drawing is the property of Vaishnavi Engineering. No part of this drawing should be copied or reproduced without the approval from Vaishnavi Engineering.