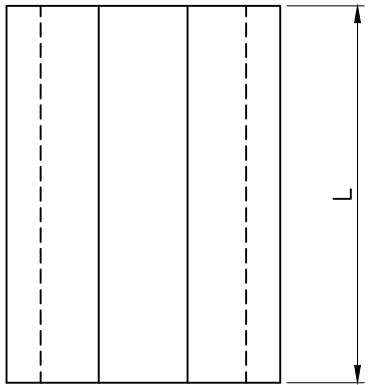


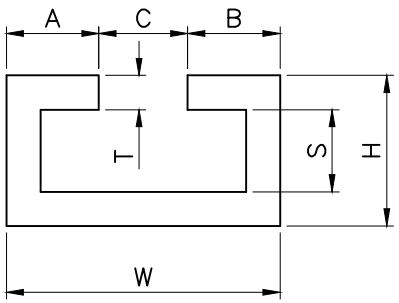
1 2 3 4 5 6 7 8 9 10 11 12
 IF IN DOUBT ASK TO DESIGN DEPT | DO NOT SCALE THE DRAWING UNLESS OTHERWISE STATED | REMOVES ALL BURRS AND SHARP CORNERS | ALL DIMENSIONS ARE IN MM, PREFER SURFACE ROUGHNESS ∇ , IF NOT SPECIFIED

INDEX	ZONE	DETAILS OF CHANGES	APPROVED	DATE

HEAVY DUTY RAIL CHANNEL 5mm THICKNESS



- A = 13.5
- B = 13.5
- C = 13.0
- H = 22.0
- S = 12.0
- T = 5.0 THICK
- L = 1 MITER LONG
- W = 40.0



MOC = STEEL.

VAISHNAVI ENGINEERING

Item Name : HEAVY DUTY RAIL CHANNEL (5mm THICK)

NAME	DATE	INDEX	0
Prepared By	ASHRAF	25/02/2012	Scale 1/1
Approved By			Sheet 1/1

Item Code : 5mm THICK Drwg. No. **DWG- 823** 

Website : <http://www.vehydraulics.com> , Email : sales_velock@vehydraulics.com

This drawing is the property of Vaishnavi Engineering
 No part of this drawing should be copied or reproduced without written approval from Vaishnavi Engineering