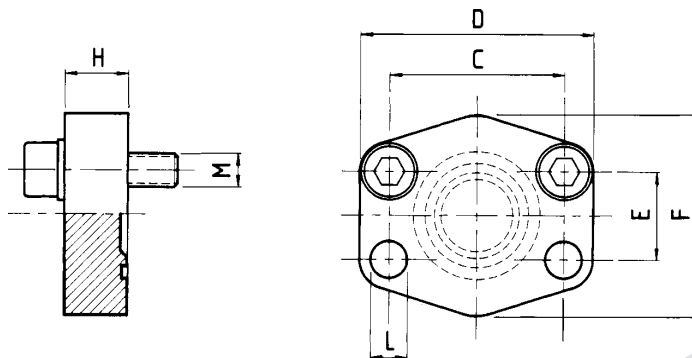




**VE-LOCK**

## SAE-BLIND FLANGE



Material: 1 ST 44.3 (FE 430) ST 52.3 (FE 510) ..... Carbon Steel  
 2. 1.4404 316L ..... Stainless Steel

3.000 Series										
Size	VE-LOCK® ITEM CODE	C	D	E	F	H	ØL	M (Screws)		Weight kg
								Metric	UNC	
1/2"	VEFL 491	38.10	56	17.48	48	16	9.0	M 8 x 30	5/16" x 1 1/4"	0.20
3/4"	VEFL 492	47.63	65	22.23	50	16	11	M 10 x 35	3/8" x 1 1/2"	0.30
1"	VEFL 493	52.37	70	26.19	60	19	11.0	M 10 x 35	3/8" x 1 1/2"	0.37
1 1/4"	VEFL 494	58.72	79	30.18	68	18	11.5	M 10 x 40	7/16" x 1 1/2"	0.54
1 1/2"	VEFL 495	69.85	93	35.71	78	20	13.5	M 12 x 45	1/2" x 1 3/4"	0.90
2"	VEFL 496	77.77	102	42.88	90	20	13.5	M 12 x 45	1/2" x 1 3/4"	1.00
2 1/2"	VEFL 497	88.90	114	50.80	105	20	13.5	M 12 x 45	1/2" x 1 3/4"	1.35
3"	VEFL 498	106.38	134	61.93	124	24	17.5	M 16 x 50	5/8" x 2"	2.35
3 1/2"	VEFL 499	120.65	152	69.85	136	22	17.5	M 16 x 50	5/8" x 2"	2.90
4"	VEFL 500	130.18	162	77.77	146	25	17.5	M 16 x 50	5/8" x 2"	3.90
5"	VEFL 501	152.40	190	92.08	170	28	17.5	M 16 x 50	5/8" x 2"	4.00
6.000 Series										
1/2"	VEFL 502	40.49	56	18.24	48	16	9.0	M 8 x 30	5/16" x 1 1/4"	0.20
3/4"	VEFL 503	50.80	71	23.80	60	19	11.0	M 10 x 35	3/8" x 1 1/2"	0.48
1"	VEFL 504	57.15	81	27.76	70	24	13	M 12 x 45	7/16" x 1 1/2"	0.77
1 1/4"	VEFL 505	66.68	95	31.75	78	27	15*	M 14 x 45	1/2" x 1 3/4"	0.85
1 1/2"	VEFL 506	79.38	112	36.50	94	30	17	M 16 x 50	5/8" x 2"	1.80
2"	VEFL 507	96.82	134	44.45	114	30	21	M 20 x 65	3/4" x 2 1/2"	2.00
2 1/2"	VEFL 508	123.80	180	58.80	150	45	26	M 24 x 75	-	5.30