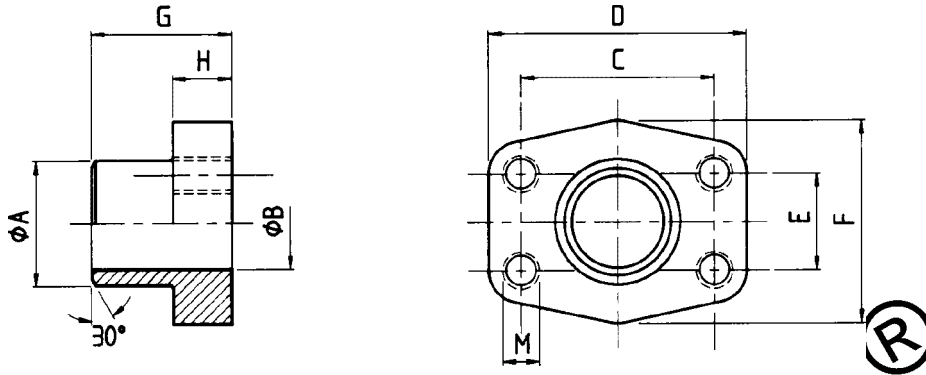




VE-LOCK
SAE FLANGES

SAE-BUTT WELD COMPANION FLANGE



Material: 1 ST 44.3 (FE 430) Carbon Steel
2. 1.4404 316L Stainless Steel

3.000 Series												
Size	VE-LOCK® ITEM CODE	A	B	C	D	E	F	G	H	M (Screws)		Weight kg
										Metric	UNC	
1/2"	VEFL 425	21.5	13	38.10	54	17.48	46	36	16	M 8	5/16"	0.25
1/2"	VEFL 426	17.5	13.0	38.10	54	17.48	46	36	16	M 8	5/16"	0.28
3/4"	VEFL 427	28.0	19.0	47.63	65	22.23	50	36	18	M 10	3/8"	0.39
1"	VEFL 428	34.0	25.0	52.37	70	26.19	55	38	18	M 10	3/8"	0.46
1 1/4"	VEFL 429	42.8	32.0	58.72	79	30.18	68	41	21	M 10	7/16"	0.66
1 1/2"	VEFL 430	48.6	38.0	69.85	93	35.71	78	44	25	M 12	1/2"	1.05
2"	VEFL 431	61.0	51.0	77.77	102	42.88	90	45	25	M 12	1/2"	1.19
2 1/2"	VEFL 432	77.0	63.0	88.90	114	50.80	105	50	25	M 12	1/2"	1.40
3"	VEFL 433	92.0	73.0	106.38	134	61.93	124	50	27	M 16	5/8"	2.15
3 1/2"	VEFL 434	103.0	89.0	120.65	152	69.85	136	48	27	M 16	5/8"	2.40
4"	VEFL 435	115.5	99.0	130.18	162	77.77	146	48	27	M 16	5/8"	2.85
5"	VEFL 436	140.2	120	152.40	184	92.08	180	50	28	M 16	5/8"	5.20
6.000 Series												
1/2"	VEFL 437	21.6	13.0	40.49	54	18.24	46	36	16	M 8	5/16"	0.26
1/2"	VEFL 438	17.5	13.0	40.49	54	18.24	46	36	16	M 8	5/16"	0.29
3/4"	VEFL 439	28.0	19.0	50.80	71	23.80	55	35	21	M 10	3/8"	0.50
1"	VEFL 440	34.0	25.0	57.15	79	27.76	68	41	21	M 12	7/16"	0.76
1 1/4"	VEFL 441	42.8	32.0	66.68	93	31.75	78	44	25	M 14	1/2"	1.20
1 1/4"	VEFL 442	42.8	29.0	66.68	93	31.75	78	44	25	M 14	1/2"	1.35
1 1/2"	VEFL 443	48.6	38.0	79.38	112	36.50	94	55	30	M 16	5/8"	1.65
1 1/2"	VEFL 444	48.6	34.0	79.38	112	36.50	94	55	30	M 16	5/8"	1.80
2"	VEFL 445	61.0	51.0	96.82	134	44.45	114	65	37	M 20	3/4"	2.45
2"	VEFL 446	61.0	43.0	96.82	134	44.45	114	65	37	M 20	3/4"	2.70
2 1/2"	VEFL 447	76.1	51.0	123.80	180	58.70	152	80	45	M 24	-	6.40
2 1/2"	VEFL 448	90.0	60.5	123.80	180	58.70	152	80	45	M 24	-	8.30