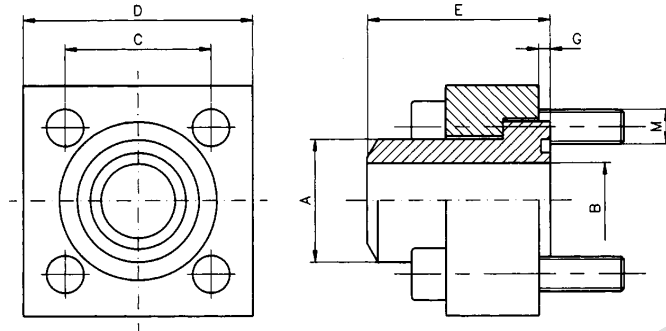




## CETOP - SQUARE FLANGE

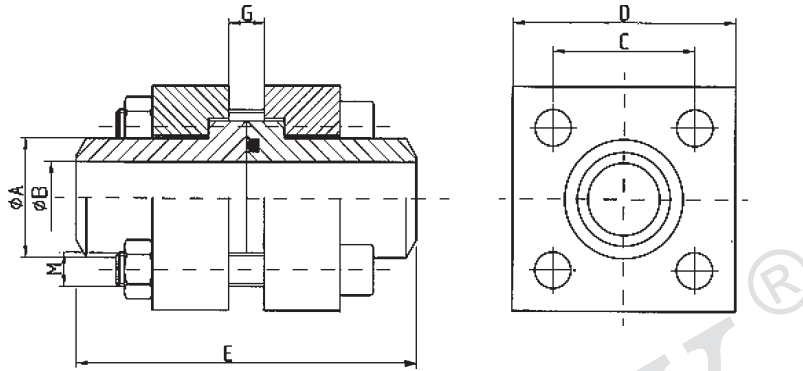


Material: ST44.3 (FE 430)  
ST52.3 (FE 510)

250 bar									
Size	VE-LOCK® ITEM CODE	A	ØB	C	D	E	G	M	Weight kg
3/8"	VEFL 1276	18	12.5	24.7	40	30	1.0	M 6 x 25	0.17
1/2"	VEFL 1277	22	15	29.7	45	30	1.0	M 8 x 30	0.22
3/4"	VEFL 1278	28	20	35.3	50	35	1.0	M 8 x 30	0.32
1"	VEFL 1279	35	25	43.8	65	40	1.0	M 10 x 35	0.63
1 1/4"	VEFL 1280	43	32	51.6	75	45	1.0	M 12 x 40	0.92
1 1/2"	VEFL 1281	50	38	60	85	50	1.0	M 14 x 45	1.34
2"	VEFL 1282	62	47	69.4	100	60	1.5	M 16 x 55	2.30
2 1/2"	VEFL 1283	76	58	83.4	120	70	1.5	M 20 x 65	4.00
3"	VEFL 1284	90	70	102.5	140	80	1.5	M 20 x 75	6.03
3 1/2"	VEFL 1285	102	80	102.5	140	90	1.5	M 20 x 90	7.56
4"	VEFL 1286	114	90	113.2	160	105	1.5	M 24 x 100	10.96
400 bar									
3/8"	VEFL 1287	18	11	24.7	40	35	1.0	M 6 x 25	0.20
1/2"	VEFL 1288	22	14	29.7	45	40	1.0	M 8 x 30	0.31
3/4"	VEFL 1289	28	18	35.3	50	45	1.0	M 8 x 35	0.45
1"	VEFL 1290	35	22	43.8	65	50	1.0	M 10 x 40	0.83
1 1/4"	VEFL 1291	44	29	51.6	75	55	1.0	M 12 x 45	1.19
1 1/2"	VEFL 1292	51	35	60.0	85	60	1.0	M 14 x 55	1.80
2"	VEFL 1293	61	43	69.4	100	70	1.5	M 16 x 65	3.08
2 1/2"	VEFL 1294	80	53	83.4	120	80	1.5	M 20 x 75	5.14
3"	VEFL 1295	90	58	102.5	140	90	1.5	M 20 x 90	7.34
3 1/2"	VEFL 1296	102	63	102.5	140	95	1.5	M 20 x 90	8.09
4"	VEFL 1297	114	74	113.2	160	105	1.5	M 24 x 100	12.75



## CETOP - SQUARE FLANGE

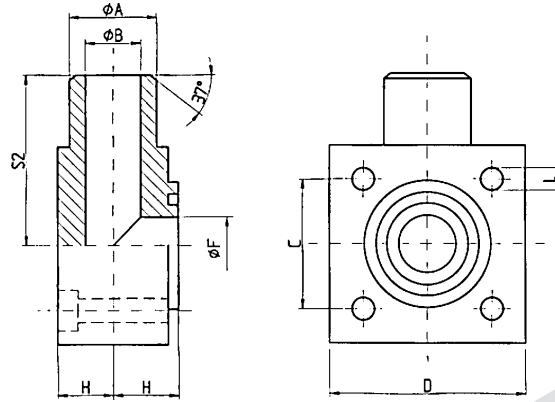


Material: ST44.3 (FE 430)  
ST52.3 (FE 510)

250 bar									
Size	VE-LOCK® ITEM CODE	A	ØB	C	D	E	G	M	Weight kg
3/8"	VEFL 1298	18	12.5	24.7	40	60	2	M 6 x 45	0.42
1/2"	VEFL 1299	22	15	29.7	45	60	2	M 8 x 50	0.52
3/4"	VEFL 1300	28	20	35.3	50	70	2	M 8 x 55	0.68
1"	VEFL 1301	35	25	43.8	65	80	2	M 10 x 65	1.30
1 1/4"	VEFL 1302	43	32	51.6	75	90	2	M 12 x 75	1.98
1 1/2"	VEFL 1303	50	38	60	85	100	2	M 14 x 90	2.79
2"	VEFL 1304	62	47	69.4	100	120	3	M 16 x 100	4.67
2 1/2"	VEFL 1305	76	58	83.4	120	140	3	M 20 x 110	7.96
3"	VEFL 1306	90	70	102.5	140	160	3	M 20 x 120	11.80
3 1/2"	VEFL 1307	102	80	102.5	140	180	3	M 20 x 130	14.10
4"	VEFL 1308	114.3	90	114.5	160	210	3	M 24 x 170	21.60
400 bar									
3/8"	VEFL 1309	18	11	24.7	40	70	2	M 6 x 45	0.47
1/2"	VEFL 1310	22	14	29.7	45	80	2	M 8 x 50	0.63
3/4"	VEFL 1311	28	18	35.2	50	90	2	M 8 x 55	0.90
1"	VEFL 1312	35	22	43.8	65	100	2	M 10 x 65	1.73
1 1/4"	VEFL 1313	44	29	51.6	75	110	2	M 12 x 75	2.62
1 1/2"	VEFL 1314	51	35	60.0	85	120	2	M 14 x 90	3.76
2"	VEFL 1315	61	43	69.4	100	140	3	M 16 x 100	6.40
2 1/2"	VEFL 1316	80	53	83.4	120	160	3	M 20 x 130	10.50
3"	VEFL 1317	90	58	102.5	160	180	3	M 24 x 130	16.40
3 1/2"	VEFL 1318	102	63	113.1	160	190	3	M 24 x 150	16.70
4"	VEFL 1319	114	74	123.7	180	210	3	M 24 x 170	25.00



# CETOP 90° BUTT WELD FLANGE



Material: ST44.3 (FE 430)  
ST52.3 (FE 510)

3000 Series										
Size	VE-LOCK® ITEM CODE	A	ØB	C	D	F	H	L	S2	M
3/8"	VEFL 1320	18	12.5	24.7	40	12.5	12	6.8	32	M 6 x 30
1/2"	VEFL 1321	22	15	29.7	45	15	17	9	40	M 8 x 40
3/4"	VEFL 1322	28	20	35.3	50	20	19	9	42	M 8 x 45
1"	VEFL 1323	35	25	43.8	65	25	24	11	50	M 10 x 55
1 1/4"	VEFL 1324	43	32	51.6	75	32	30	13	56	M 12 x 70
1 1/2"	VEFL 1325	50	38	60.0	85	38	34	15	65	M 14 x 80
2"	VEFL 1326	62	47	69.4	100	47	42	17	75	M 16 x 100
2 1/2"	VEFL 1327	76	58	83.4	120	58	53	21	85	M 18 x 120
3"	VEFL 1328	90	68	102.5	140	70	59	21	100	M 20 x 140
6000 Series										
3/8"	VEFL 1329	18	11	24.7	40	12.5	12	6.8	32	M 6 x 30
1/2"	VEFL 1330	22	14	29.7	45	15	17	9	40	M 8 x 40
3/4"	VEFL 1331	28	18	35.3	50	20	19	9	42	M 8 x 45
1"	VEFL 1332	35	22	43.8	65	25	24	11	50	M 10 x 55
1 1/4"	VEFL 1333	44	29	51.6	75	32	30	13	56	M 12 x 70
1 1/2"	VEFL 1334	51	35	60.0	85	38	34	15	65	M 14 x 80
2"	VEFL 1335	61	43	69.4	100	47	42	17	75	M 16 x 100
2 1/2"	VEFL 1336	80	53	83.4	120	58	53	21	85	M 20 x 120
3"	VEFL 1337	90	58	102.5	140	58	59	21	100	M 20 x 140