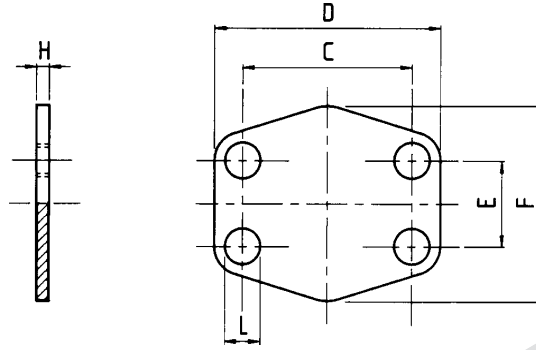




SAE-LOCKING SHEET

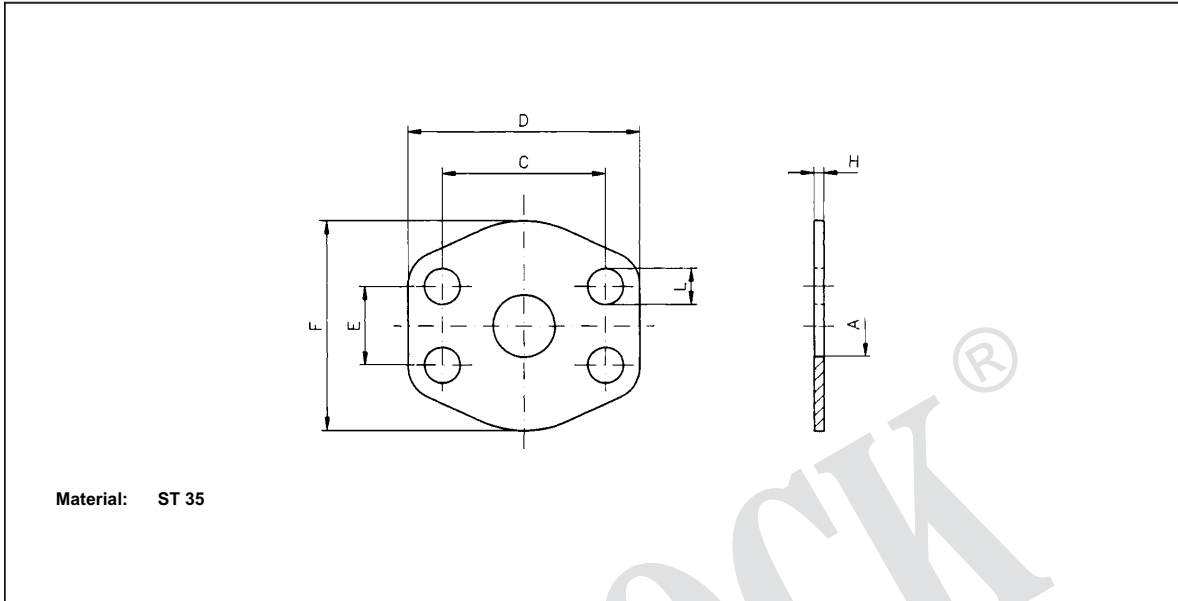


Material: ST 35

3.000 Series								
Size	VE-LOCK® ITEM CODE	C	D	E	F	H	ØL	Weight kg
1/2"	VEFL 592	38.10	54	17.48	45.60	3	9	0.01
3/4"	VEFL 593	47.63	65	22.23	51.80	3	11	0.01
1"	VEFL 594	52.37	70	26.19	58.40	3	11	0.01
1 1/4"	VEFL 595	58.72	79	30.18	72.60	3	11	0.02
1 1/2"	VEFL 596	69.85	94	35.71	82.20	3	13	0.02
2"	VEFL 597	77.77	102	42.88	90.00	3	13	0.03
2 1/2"	VEFL 598	88.90	114	50.80	108.12	3	13	0.03
3"	VEFL 599	106.38	135	61.93	130.60	4	17	0.04
3 1/2"	VEFL 600	120.65	152	69.85	139.00	4	17	0.06
4"	VEFL 601	130.18	162	77.77	152.00	4	17	0.08
5"	VEFL 602	152.40	184	92.08	180.00	4	17	0.09
6.000 Series								
1/2"	VEFL 603	40.49	56	18.24	47.2	4	9	0.01
3/4"	VEFL 604	50.80	71	23.80	60.0	4	11	0.01
1"	VEFL 605	57.15	81	27.76	69.6	4	13	0.02
1 1/4"	VEFL 606	66.68	95	31.75	77.2	4	15	0.03
1 1/2"	VEFL 607	79.38	113	36.50	95.0	4	17	0.04
2"	VEFL 608	96.82	133	44.45	113.8	4	21	0.05



SAE-ADAPTOR SHEET



3.000 Series									
Size	VE-LOCK® ITEM CODE	ØA	C	D	E	F	H	ØL	Weight kg
1/2"	VEFL 609	13	38.10	54	17.48	45.60	3	9	0.01
3/4"	VEFL 610	19	47.63	65	22.23	51.80	3	11	0.01
1"	VEFL 611	25	52.37	70	26.19	58.40	3	11	0.01
1 1/4"	VEFL 612	32	58.72	79	30.18	72.60	3	11	0.02
1 1/2"	VEFL 613	38	69.85	94	35.71	82.20	3	13	0.02
2"	VEFL 614	51	77.77	102	42.88	90.00	3	13	0.03
2 1/2"	VEFL 615	63	88.90	114	50.80	108.00	3	13	0.03
3"	VEFL 616	73	106.38	135	61.93	130.60	4	17	0.04
3 1/2"	VEFL 617	89	120.65	152	69.85	139.00	4	17	0.06
4"	VEFL 618	99	130.18	162	77.77	152.00	4	17	0.08
5"	VEFL 619	120	152.40	184	92.08	180.00	4	17	0.09
6.000 Series									
1/2"	VEFL 620	13	40.49	56	18.24	47.2	4	9	0.01
3/4"	VEFL 621	17	50.80	71	23.80	60.0	4	11	0.01
1"	VEFL 622	24	57.15	81	27.76	69.6	4	13	0.02
1 1/4"	VEFL 623	31	66.68	95	31.75	77.2	4	15	0.03
1 1/2"	VEFL 624	38	79.38	113	36.50	95.0	4	17	0.04
2"	VEFL 625	51	96.82	133	44.45	113.8	4	21	0.05