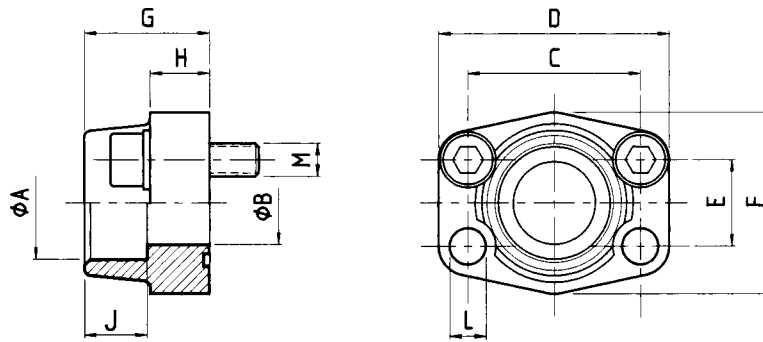




VE-LOCK
SAE FLANGES

SAE-SOCKET WELD FLANGE



Material: 1 ST 44.3 (FE 430) Carbon Steel
2. 1.4404 316L Stainless



3.000 Series														
Size	VE-LOCK® ITEM CODE	A	B	C	D	E	F	G	H	J	L	M (Screws)		Weight kg
												Metric	UNC	
1/2"	VEFL 148	21.6	13	38.10	54	17.48	46	36	16	19	9.0	M 8 x 30	5/16" x 1 1/4"	0.25
1/2"	VEFL 149	17.5	13	38.10	54	17.48	46	36	16	19	9.0	M 8 x 30	5/16" x 1 1/4"	0.28
1/2"	VEFL 150	20.3	13	38.10	54	17.48	46	36	16	19	9.0	M 8 x 30	5/16" x 1 1/4"	0.25
3/4"	VEFL 151	27.2	19	47.63	65	22.23	50	36	18	19	11.0	M 10 x 35	3/8" x 1 1/2"	0.39
3/4"	VEFL 152	25.3	19	47.63	65	22.23	50	36	18	19	11.0	M 10 x 35	3/8" x 1 1/2"	0.39
1"	VEFL 153	34.0	25	52.37	70	26.19	55	38	18	19	11.0	M 10 x 35	3/8" x 1 1/2"	0.46
1"	VEFL 154	30.3	25	52.37	70	26.19	55	38	18	19	11.0	M 10 x 35	3/8" x 1 1/2"	0.46
1 1/4"	VEFL 155	42.8	32	58.72	79	30.18	68	41	21	22	11.5	M 10 x 40	7/16" x 1 1/2"	0.66
1 1/4"	VEFL 156	38.3	32	58.72	79	30.18	68	41	21	22	11.5	M 10 x 40	7/16" x 1 1/2"	0.66
1 1/2"	VEFL 157	48.6	38	69.85	93	35.71	78	45	25	24	13.5	M 12 x 45	1/2" x 1 3/4"	1.05
1 1/2"	VEFL 158	50.5	38	69.85	93	35.71	78	45	25	24	13.5	M 12 x 45	1/2" x 1 3/4"	1.05
2"	VEFL 159	61.0	51	77.77	102	42.88	90	45	25	26	13.5	M 12 x 45	1/2" x 1 3/4"	1.19
2 1/2"	VEFL 160	76.6	63	88.90	114	50.80	105	50	25	30	13.5	M 12 x 45	1/2" x 1 3/4"	1.40
3"	VEFL 161	90.5	73	106.38	134	61.93	124	50	27	34	17.5	M 16 x 50	5/8" x 2"	2.15
3 1/2"	VEFL 162	103.0	89	120.65	152	69.85	136	48	27	34	17.5	M 16 x 50	5/8" x 2"	2.40
3"	VEFL 163	115.5	99	130.18	162	77.77	146	48	27	34	17.5	M 16 x 50	5/8" x 2"	2.85
6.000 Series														
1/2"	VEFL 164	21.6	13	40.49	54	18.24	46	36	16	19	9.0	M 8 x 30	5/16" x 1 1/4"	0.26
1/2"	VEFL 165	17.5	13	40.49	54	18.24	46	36	16	19	9.0	M 8 x 30	5/16" x 1 1/4"	0.29
1/2"	VEFL 166	20.3	13	40.49	54	18.24	46	36	16	19	9.0	M 8 x 30	5/16" x 1 1/4"	0.26
3/4"	VEFL 167	27.2	19	50.80	71	23.80	55	35	21	22	11.0	M 10 x 35	3/8" x 1 1/2"	0.50
3/4"	VEFL 168	25.3	19	50.80	71	23.80	55	35	21	22	11.0	M 10 x 35	3/8" x 1 1/2"	0.50
1"	VEFL 169	34.0	25	57.15	81	27.76	65	42	25	22	13.0	M 12 x 45	7/16" x 1 3/4"	0.76
1"	VEFL 170	30.3	25	57.15	81	27.76	65	42	25	22	13.0	M 12 x 45	7/16" x 1 3/4"	0.76
1 1/4"	VEFL 171	42.8	32	66.68	95	31.75	78	45	27	25	15.0*	M 14 x 45	1/2" x 1 3/4"	1.20
1 1/4"	VEFL 172	38.3	32	66.68	95	31.75	78	45	27	25	15.0*	M 14 x 45	1/2" x 1 3/4"	1.20
1 1/2"	VEFL 173	48.6	38	79.38	112	36.50	94	50	30	28	17.5	M 16 x 50	5/8" x 2"	1.65
1 1/2"	VEFL 174	50.5	38	79.38	112	36.50	94	50	30	28	17.5	M 16 x 50	5/8" x 2"	1.65
2"	VEFL 175	61.0	51	96.82	134	44.45	114	65	37	24	21.0	M 20 x 65	3/4" x 2 1/2"	2.45
2 1/2"	VEFL 176	76.6	63	123.80	180	58.70	152	80	45	30	26.0	M 24 x 75	-	8.30