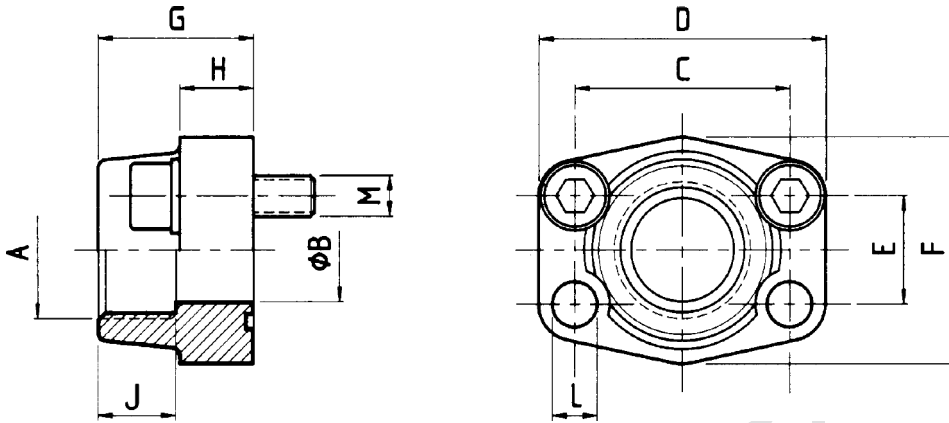




VE-LOCK

SAE-BSP THREADED FLANGE



Material: 1 ST 44.3 (FE 430)Carbon Steel
 2. 1.4404, 316LStainless Steel

6.000 Series														
Size	VE-LOCK® ITEM CODE	A	B	C	D	E	F	G	H	J	ØL	M (Screws)		Weight kg
												Metric	UNC	
1/2"	VEFL 108	R 1/2"	13	40.49	54	18.24	46	36	16	19	9	M 8 x 30	5/16" x 1 1/4"	0.26
1/2"	VEFL 109	R 3/8"	13	40.49	54	18.24	46	36	16	19	9	M 8 x 30	5/16" x 1 1/4"	0.29
3/4"	VEFL 110	R 3/4"	19	50.80	71	23.80	55	35	21	22	11	M 10 x 35	3/8" x 1 1/2"	0.50
3/4"	VEFL 111	R 1/2"	13	50.80	71	23.80	55	35	21	22	11	M 10 x 35	3/8" x 1 1/2"	0.55
1"	VEFL 112	R 1"	25	57.15	81	27.76	65	42	25	24	13	M 12 x 45	7/16" x 1 3/4"	0.76
1"	VEFL 113	R 3/4"	19	57.15	81	27.76	65	42	25	24	13	M 12 x 45	7/16" x 1 3/4"	0.80
1 1/4"	VEFL 114	R 1 1/4"	32	66.68	95	31.75	78	45	27	25	15*	M 14 x 45	1/2" x 1 3/4"	1.20
1 1/4"	VEFL 115	R 1"	25	66.68	95	31.75	78	45	27	25	15*	M 14 x 45	1/2" x 1 3/4"	1.30
1 1/2"	VEFL 116	R 1 1/2"	38	79.38	112	36.50	94	50	30	28	17	M 16 x 50	5/8" x 2"	1.65
1 1/2"	VEFL 117	R 1 1/4"	32	79.38	112	36.50	94	50	30	28	17	M 16 x 50	5/8" x 2"	1.75
2"	VEFL 118	R 2"	51	96.82	134	44.45	114	65	37	30	21	M 20 x 65	3/4" x 2 1/2"	2.45
2"	VEFL 119	R 1 1/2"	38	96.82	134	44.45	114	65	37	30	21	M 20 x 65	3/4" x 2 1/2"	2.55