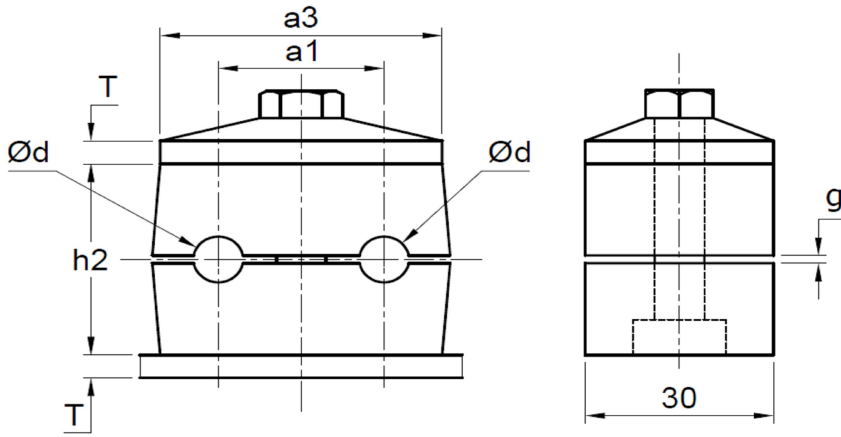


PIPE CLAMP DIN 3015 PART 3 - TWIN SERIES



ONE SET = ONE TOP PLATE + ONE BOTTOM PLATE + 1 HEX BOLTS + ONE PAIR OF PP CLAMPS

DIN / VE GROUP	PIPE OD in mm dia =d	a2	a3	a1	g	T	h2	Bolt Size
		IN MM	IN MM	IN MM	IN MM	IN MM	IN MM	IN MM
1	6	37	34	20	0.6 MM	3	26.5	M 6 x 35 MM
	6.4							
	8							
	9.5							
	10							
	12							
2	12.7	55	52	29	0.7 MM	5	26.5	M 8 x 35 MM
	13.5							
	14							
	15							
	16							
	17.2							
3	18	70	67	36	0.7 MM	5	36.5	M 8 x 45 MM
	19							
	20							
	21.3							
	22							
4	25	85	80	45	0.7 MM	5	38	M 8 x 50 MM
	26.9							
	28							
5	30	110	106	56	0.7 MM	5	52	M 8 x 60 MM
	32							
	33.7							
	35							
	38							
	40							
42								