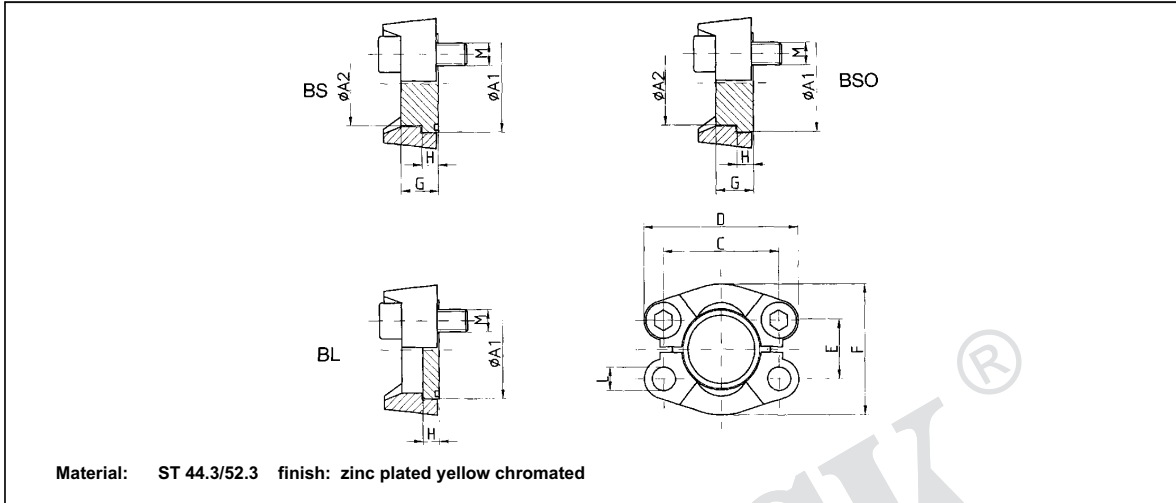




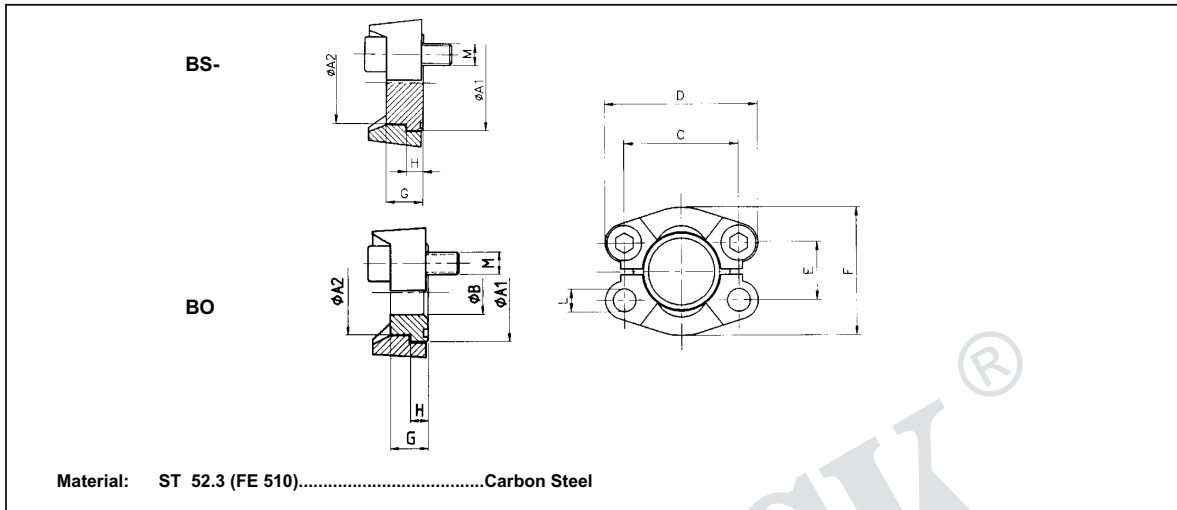
SAE-FLANGE PLUG



3.000 Series															
Size	Max. Working Pressure kg/cm ²		VE-LOCK [®] ITEM CODE	A ₁	A ₂	C	D	E	F	G	H	L	M (Screws)		Weight (plug only) kg.
	BL	BS											metric	unc	
1/2"	210	345	VEFL 638	30.2	23.9	38.10	54	17.48	45.6	16	6.9	8.50	M 8 x 30	5/16" x 1 1/4"	0.03
3/4"	210	345	VEFL 639	38.1	31.7	47.63	65	22.23	51.8	17	6.9	10.50	M 10 x 30	3/8" x 1 1/4"	0.05
1"	210	345	VEFL 640	44.4	38.1	52.37	70	26.19	58.4	17	8.1	10.50	M 10 x 35	3/8" x 1 1/4"	0.08
1 1/4"	210	276	VEFL 641	50.8	42.3	58.72	79	30.18	72.6	17	8.1	10.5	M 10 x 30	-	0.11
												12.5	M 12 x 40	-	
												12.0	-	7/16" x 1 1/2"	
1 1/2"	160	207	VEFL 642	60.3	50.3	69.85	94	35.71	82.2	19	8.1	13.50	M 12 x 35	1/2" x 1 1/2"	0.16
2"	160	207	VEFL 643	71.4	62.2	77.77	102	42.88	96.4	19	9.7	13.50	M 12 x 35	1/2" x 1 1/2"	0.27
2 1/2"	-	172	VEFL 644	84.1	74.0	88.90	114	50.80	108.0	40	9.5	13.50	M 12 x 35	1/2" x 1 1/2"	0.90
3"	-	138	VEFL 645	101.6	90.0	106.38	135	61.93	130.6	45	9.5	16.75	M 16 x 50	5/8" x 2"	1.30
3 1/2"	-	34	VEFL 646	114.3	102.0	120.65	152	69.85	139.0	30	11.2	17.00	M 16 x 50	5/8" x 2"	1.80
4"	-	34	VEFL 647	127.0	114.0	130.18	162	77.77	152.0	36	11.2	17.00	M 16 x 50	5/8" x 2"	2.11
5"	-	34	VEFL 648	152.4	140.0	152.40	184	92.08	180.0	45	11.2	17.00	M 16 x 50	5/8" x 2"	2.70
6.000 Series															
1/2"	250	420	VEFL 649	31.7	23.9	40.39	56	18.24	47.2	18	7.9	8.50	M 8 x 30	5/16" x 1 1/4"	0.04
3/4"	250	420	VEFL 650	41.3	31.7	50.80	71	23.80	60.0	15	8.9	10.50	M 10 x 35	3/8" x 1 1/2"	0.08
1"	250	420	VEFL 651	47.6	38.1	57.15	81	27.76	69.6	16	9.7	12.5	M 12 x 45	-	0.12
												12.0	-	7/16" x 1 3/4"	
1 1/4"	250	420	VEFL 652	54.0	43.7	66.68	95	31.75	77.2	16	10.4	14.5	M 14 x 50	-	0.17
												14.0	-	1/2" x 1 3/4"	
1 1/2"	250	420	VEFL 653	63.5	50.8	79.38	113	36.50	95.0	19	12.7	16.75	M 16 x 55	5/8" x 2"	0.30
2"	250	420	VEFL 654	79.4	66.5	96.82	133	44.45	113.8	30	12.7	21.00	M 20 x 65	3/4" x 2 1/2"	0.47
2 1/2"	-	420	VEFL 655	108.0	90.0	123.80	180	58.80	150.2	45	21.2	26.00	M 24 x 75	-	2.60
3"	-	420	VEFL 656	132.0	114.0	152.40	215	71.60	198.16	55	26.5	31.00	M 30 x 90	-	5.00



SAE-FLANGE HEAD



3.000 Series														
Size	VE-LOCK® ITEM CODE	ØA ₁	ØA ₂	ØB min/ max	C	D	E	F	G	H	ØL	M (Screws)		Weight (plug only) kg
												Metric	UNC	
1/2"	VEFL 657	30.2	23.9	0/10	38.10	54	17.48	45.6	16	6.9	8.5	M 8 x 30	5/16" x 1 1/4"	0.05
3/4"	VEFL 658	38.1	31.7	0/15	47.63	65	22.23	51.8	17	6.9	10.5	M 10 x 30	3/8" x 1 1/4"	0.08
1"	VEFL 659	44.4	38.1	0/20	52.37	70	26.19	58.4	17	8.1	10.5	M 10 x 35	3/8" x 1 1/2"	0.12
1 1/4"	VEFL 660	50.8	42.3	0/27	58.72	79	30.18	72.6	17	8.1	10.5	M 10 x 30	-	0.13
											12.5	M 12 x 40	-	
											12.0	-	7/16" x 1 1/2"	
1 1/2"	VEFL 661	60.3	50.3	0/32	69.85	94	35.71	82.2	19	8.1	13.5	M 12 x 35	1/2" x 1 1/2"	0.20
2"	VEFL 662	71.4	62.2	0/40	77.77	102	42.88	96.4	19	9.7	13.5	M 12 x 35	1/2" x 1 1/2"	0.31
2 1/2"	VEFL 663	84.1	74.0	0/50	88.90	114	50.80	108.2	30	9.7	13.5	M 12 x 40	1/2" x 1 3/4"	0.47
6.000 Series														
1/2"	VEFL 664	31.7	23.9	0/10	40.39	56	18.24	47.2	16	7.9	8.50	M 8 x 30	5/16" x 1 1/4"	0.06
3/4"	VEFL 665	41.3	31.7	0/15	50.80	71	23.80	60.0	20	8.9	10.50	M 10 x 35	3/8" x 1 1/2"	0.12
1"	VEFL 666	47.6	38.1	0/20	57.15	81	27.76	69.6	22	9.7	12.5	M 12 x 45	-	0.17
											12.0	-	7/16" x 1 3/4"	
1 1/4"	VEFL 667	54.0	43.7	0/27	66.68	95	31.75	77.2	27	10.4	14.5	M 14 x 50	-	0.22
											14.0	-	1/2" x 1 3/4"	
1 1/2"	VEFL 668	63.5	50.8	0/32	79.38	113	36.50	95.0	32	12.7	16.75	M 16 x 55	5/8" x 2"	0.39
2"	VEFL 669	79.4	66.5	0/40	96.82	133	44.45	113.8	40	12.7	21.00	M 20 x 65	3/4" x 2 1/2"	0.79