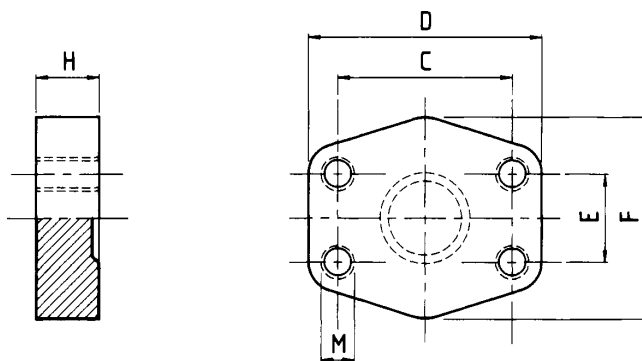




VE-LOCK

SAE-CLOSED FLANGE COMPANION



Material: 1 ST 44.3 (FE 430) ST 52.3 (FE 510) Carbon Steel
 2. 1.4404 316L Stainless Steel

3.000 Series								
Size	VE-LOCK® ITEM CODE	C	D	E	F	H	M	Weight kg
1/2"	VEFL 520	38.10	56	17.48	48	16	M 8	0.20
3/4"	VEFL 521	47.63	65	22.23	50	16	M 10	0.30
1"	VEFL 522	52.37	70	26.19	60	19	M 10	0.37
1 1/4"	VEFL 523	58.72	79	30.18	68	18	M 10	0.54
1 1/2"	VEFL 524	69.85	93	35.71	78	20	M 12	0.90
2"	VEFL 525	77.77	102	42.88	90	20	M 12	1.00
2 1/2"	VEFL 526	88.90	114	50.80	105	20	M 12	1.35
3"	VEFL 527	106.38	134	61.93	124	24	M 16	2.35
3 1/2"	VEFL 528	120.65	152	69.85	136	22	M 16	2.90
4"	VEFL 529	130.18	162	77.77	146	25	M 16	3.90
5"	VEFL 530	152.40	190	92.08	170	28	M 16	4.00
6.000 Series								
1/2"	VEFL 531	40.49	56	18.24	48	16	M 8	0.20
3/4"	VEFL 532	50.80	71	23.80	60	19	M 10	0.48
1"	VEFL 533	57.15	81	27.76	70	24	M 12	0.77
1 1/4"	VEFL 534	66.68	95	31.75	78	27	M 14	0.85
1 1/2"	VEFL 535	79.38	112	36.50	94	30	M 16	1.80
2"	VEFL 536	96.82	134	44.45	114	28	M 20	2.00
2 1/2"	VEFL 537	123.80	180	58.80	150	45	M 24	5.30