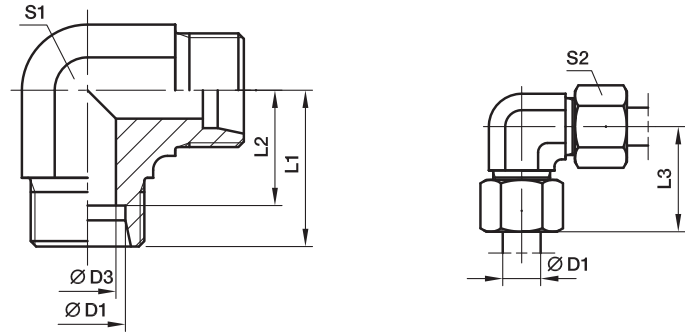


Properties

Design - As per DIN 2353 - ISO 8434 -1  
 Material - Steel / Stainless Steel /Brass  
 Surface Protection for Steel - Zinc passivation or Chrome -VI Free ( Trivalent Plated)  
 Material - Stainless steel -304 / 316 Grade  
 Surface finish Mat Buff Surface Finish



Series	D1	D3	L1	L2	L3	S1	S2	Weight g/1 piece	DIN CODE ORDER CODE	VELOCK ORDER CODE	W.P. = IN BAR			
											CF	MS	71	A3C
LL	04	3	15	11	21	9	10	13	W04LL	VEW04LL	100	100	100	63
	06	4.5	15	9.5	21	9	12	15	W06LL	VEW06LL	100	100	100	63
	08	6	17	12	23	12	14	23	W08LL	VEW08LL	100	100	100	63
	10	8	18	13	24	12	17	32	W10LL	VEW10LL	100	100	100	63
	12	10	19	13	25	14	19	41	W12LL	VEW12LL	100	100	100	63
L	06	4	19	12	27	12	14	29	W06L	VEW06L	500	315	315	200
	08	6	21	14	29	12	17	43	W08L	VEW08L	500	315	315	200
	10	8	22	15	30	14	19	54	W10L	VEW10L	500	315	315	200
	12	10	24	17	32	17	22	80	W12L	VEW12L	500	315	315	200
	15	12	28	21	36	19	27	81	W15L	VEW15L	500	315	315	200
	18	15	31	24	40	24	32	140	W18L	VEW18L	400	315	315	200
	22	19	35	28	44	27	36	178	W22L	VEW22L	250	160	160	100
	28	24	38	31	47	36	41	340	W28L	VEW28L	250	160	160	100
	35	30	45	35	56	41	50	458	W35L	VEW35L	250	160	160	100
42	36	51	40	63	50	60	776	W42L	VEW42L	250	160	160	100	
S	06	4	23	16	31	12	17	52	W06S	VEW06S	800	630	630	400
	08	5	24	17	32	14	19	74	W08S	VEW08S	800	630	630	400
	10	7	25	18	34	17	22	97	W10S	VEW10S	800	630	630	400
	12	8	29	22	38	17	24	137	W12S	VEW12S	630	630	630	400
	14	10	30	22	40	19	27	145	W14S	VEW14S	630	630	630	400
	16	12	33	25	43	24	30	162	W16S	VEW16S	630	400	400	250
	20	16	37	27	48	27	36	221	W20S	VEW20S	420	400	400	250
	25	20	42	30	54	36	46	424	W25S	VEW25S	420	400	400	250
	30	25	49	36	62	41	50	603	W30S	VEW30S	420	400	400	250
38	32	57	41	72	50	60	1010	W38S	VEW38S	420	315	315	200	

\* S1 - Dimensions may vary according to the forged body