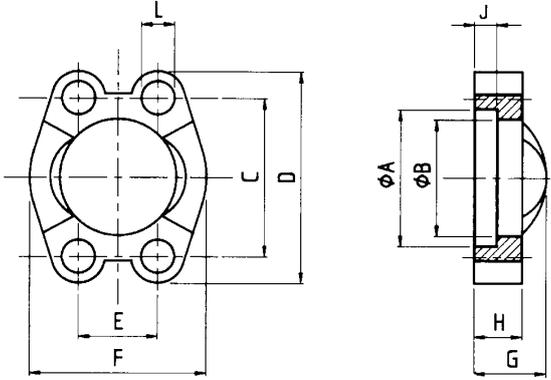




SAE-FLANGE CLAMP



Material : 1. ST 52.3 (FE 510)..... Zinc Plated Yellow Chromate
 2. 1.4404/1.4541 316L/320.... Stainless Steel
 3. Forged

3.000 Series														
Size	VE-LOCK® ITEM CODE	A	B	C	D	E	F	G	H	J	ØL	Screws		Weight kg
												Metric	UNC	
1/2"	VEFL 36	30.96	24.26	38.10	54	17.48	45.6	19	13	6.22	8.50	M 8 x 25	5/16" x 1 1/4"	0.15
3/4"	VEFL 37	38.89	32.13	47.63	65	22.23	51.8	22	14	6.22	10.50	M 10 x 30	3/8" x 1 1/4"	0.17
1"	VEFL 38	45.24	38.48	52.37	70	26.19	58.4	24	16	7.49	10.50	M 10 x 35	3/8" x 1 1/4"	0.22
1"	VEFL 39	45.24	38.48	52.37	71	26.19	60.0	26	26	7.49	10.50	M 10 x 45	-	0.43
1 1/4"	VEFL 40	51.59	43.69	58.72	79	30.18	72.6	22	16	7.49	12.00	M 10 x 35	7/16" x 1 1/2"	0.30
1 1/4"	VEFL 41	51.59	43.69	58.72	80	30.18	73.0	33	24	7.49	13.00	M 12 x 45	-	0.64
1 1/2"	VEFL 42	61.09	50.80	69.85	94	35.71	82.2	25	16	7.49	13.50	M 12 x 35	1/2" x 1 1/2"	0.45
1 1/2"	VEFL 43	61.09	50.80	69.85	95	35.71	83.0	37	27	7.49	13.50	M 12 x 50	-	0.96
2"	VEFL 44	72.24	62.74	77.77	102	42.88	96.4	26	16	9.02	13.50	M 12 x 35	1/2" x 1 1/2"	0.50
2"	VEFL 45	72.24	62.74	77.77	103	42.88	97.0	43	30	9.02	13.50	M 12 x 50	-	1.38
2 1/2"	VEFL 46	84.94	74.93	88.90	114	50.80	108.2	38	19	9.02	13.50	M 12 x 35	1/2" x 1 1/2"	0.74
2 1/2"	VEFL 47	84.94	74.93	88.90	114	50.80	108.2	49	30	9.02	15.00	M 14 x 50	-	1.75
3"	VEFL 48	102.39	90.93	106.38	135	61.93	130.6	41	22	9.02	16.75	M 16 x 50	5/8" x 2"	1.30
3 1/2"	VEFL 49	115.10	102.36	120.65	152	69.85	139.0	28	22	10.72	17.00	M 16 x 50	5/8" x 2"	1.50
4"	VEFL 50	127.79	115.06	130.18	162	77.77	152.0	35	25	10.72	17.00	M 16 x 50	5/8" x 2"	1.65
5"	VEFL 51	153.19	140.46	152.40	184	92.08	180.0	41	28	10.72	17.00	M 16 x 50	5/8" x 2"	2.50
6.000 Series														
1/2"	VEFL 52	32.54	24.64	40.49	56	18.24	47.20	22	16	7.24	8.50	M 8 x 30	5/16" x 1 1/4"	0.16
3/4"	VEFL 53	42.06	32.51	50.80	71	23.80	60.00	28	19	8.26	10.50	M 10 x 35	3/8" x 1 1/2"	0.35
1"	VEFL 54	48.41	38.86	57.15	81	27.76	69.90	33	24	9.02	12.50	M 12 x 45	-	0.53
1"	VEFL 55	48.41	38.86	57.15	81	27.76	69.90	33	24	9.02	12.00	-	7/16" x 1 3/4"	0.53
1 1/4"	VEFL 56	54.76	44.45	66.68	95	31.75	77.20	38	27	9.78	14.50	M 14 x 50	1/2" x 1 3/4"	0.80
1 1/2"	VEFL 57	64.29	51.56	79.38	113	36.50	95.00	43	30	12.07	16.75	M 16 x 55	5/8" x 2"	1.35
2"	VEFL 58	80.16	67.56	96.82	133	44.45	113.80	52	37	12.07	21.00	M 20 x 65	3/4" x 2 1/2"	2.10
2 1/2"	VEFL 59	108.90	90.00	123.80	180	58.80	150.20	45	45	20.50	26.00	M 24 x 75	-	4.10
3"	VEFL 60	132.50	115.00	152.40	215	71.60	198.16	55	55	25.50	31.00	M 30 x 90	-	8.60