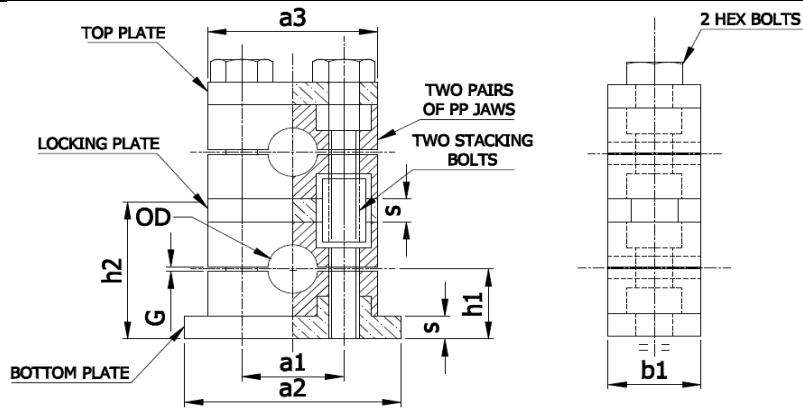


HEAVY SERIES TUBE CLAMPS -DIN 3015 -2



DOUBLE LAYER VERTICAL TYPE



VERTICAL MOUNTING



ONE SET = One Top Plate + One Bottom Plate + One Locking Plate + 2 stacking bolts + 2 hex bolts + 2 Set PP Jaws

DIN GROUP	OUR PART CODE	PIPE OD Dia = d	a3	a1	h1	h2	g	b1	a2	s	BOLT SIZE
	Ve-Lock Part Code	in MM	in MM	in MM	in MM	in MM	in MM	in MM	in MM	in MM	Size X Length
1	PCH 6 MM x 2	6	55	33	24	48	0.6 to 1 mm Min.	30	70	8	M 10 x 45 MM
	PCH 6.4 MM x 2	6.4									
	PCH 8 MM x 2	8									
	PCH 9.5 MM x 2	9.5									
	PCH 10 MM x 2	10									
	PCH 12 MM x 2	12									
	PCH 12.7 MM x 2	12.7									
	PCH 13.5 MM x 2	13.5									
	PCH 14 MM x 2	14									
	PCH 15 MM x 2	15									
	PCH 16 MM x 2	16									
	PCH 17.2 MM x 2	17.2									
2	PCH 18 MM x 2	18	70	45	32	64	0.6 to 1 mm Min.	30	85	8	M10 X 60 MM
	PCH 19 MM x 2	19									
	PCH 20 MM x 2	20									
	PCH 21.3 MM x 2	21.3									
	PCH 22 MM x 2	22									
	PCH 25 MM x 2	25									
3	PCH 26.9 MM x 2	26.9	85	76	38	76	0.6 to 1 mm Min.	30	100	8	M10 X 70 MM
	PCH 28 MM x 2	28									
	PCH 30 MM x 2	30									
	PCH 32 MM x 2	32									
	PCH 33.7 MM x 2	33.7									
	PCH 35 MM x 2	35									
4	PCH 38 MM x 2	38	120	90	52.5	105	2 MM MIN	45	140	10	M12 X 100 MM
	PCH 42 MM x 2	42									
	PCH 42 MM x 2	42									
	PCH 48.3 MM x 2	48.3									
	PCH 50.8 MM x 2	50.8									
5	PCH 60.3 MM x 2	60.3	152	122	70	140	2 MIN	60	180	10	M16 X 130 MM
	PCH 63.5 MM x 2	63.5									
	PCH 65 MM x 2	65									
	PCH 70 MM x 2	70									
	PCH 73 MM x 2	73	152	122	70	140	2 MIN	60	180	10	M16 X 130 MM
	PCH 76.1 MM x 2	76.1									
	PCH 88.9 MM x 2	88.9									

6	PCH 102 MM x 2	102	210	168	97	193 TO 195	2 MM MIN	80	226	16	M20 X 190 MM
	PCH 114 MM x 2	114									
	PCH 127 MM x 2	127									
	PCH 133 MM x 2	133									
7	PCH 141 MM x 2	141	251	205	116	230 TO 232	3 MIN	90	270	16	M24 X 220 MM
	PCH 152 MM x 2	152									
	PCH 168 MM x 2	168									
8	PCH 177.8 MM x 2	177.8	336	265	160	320	3 MIN	120	340	25	M30 x 300 MM
	PCH 193.7 MM x 2	193.7									
	PCH 216 MM x 2	216									
	PCH 219 MM x 2	219									