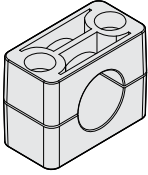
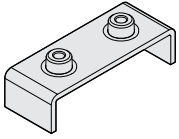
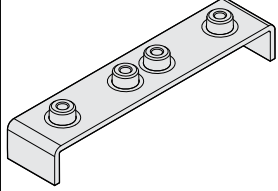
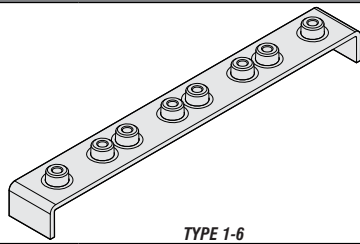
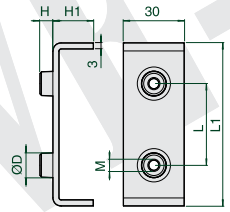
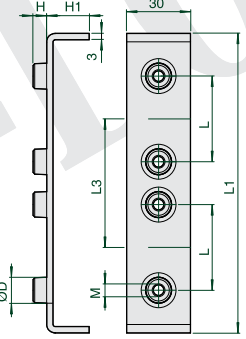
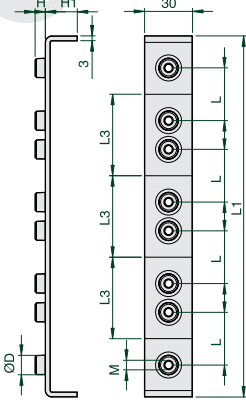


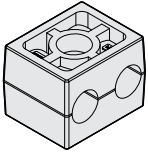
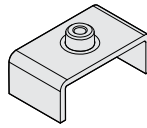
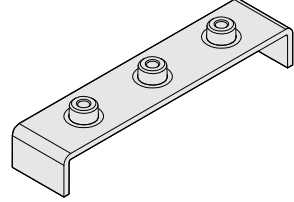
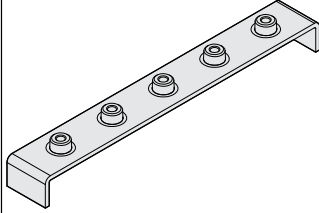
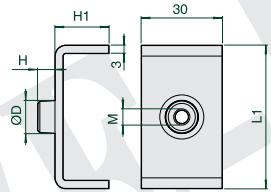
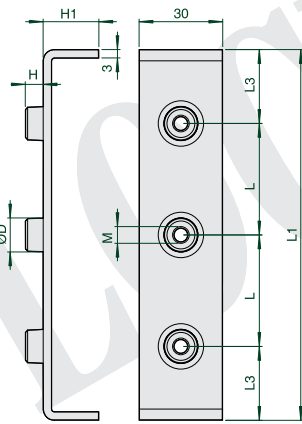
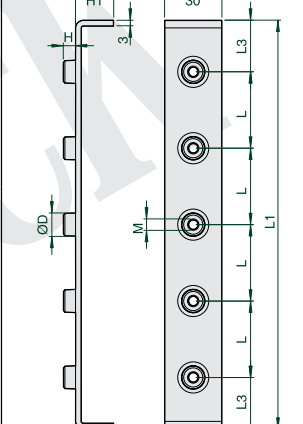
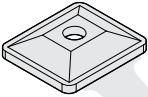


STANDARD SERIES WITH SPACED PLATES ORDER CODES AND DIMENSIONS

Clamp body (two clamp halves)	Single spaced plate SSP	Twin spaced plate TSP	Multiple spaced plate MSP
 TYPE 1-6	 TYPE 1-6	 TYPE 1-6	 TYPE 1-6
Standard series clamps	SSP	TSP	MSP
	#	#	#
For clamp body Dimensions, see page 7. For standard clamp body materials characteristics see page 74.	Code Ve-Lock Type N. positions	Code Ve-Lock Type N. positions	Code Ve-Lock Type N. positions
	Type of thread	Type of thread	Type of thread
PCL 1	SSP - 1	TSP - 1	MSP - 1
PCL 2	SSP - 2	TSP - 2	MSP - 2
PCL 3	SSP - 3	TSP - 3	MSP - 3
PCL 4	SSP - 4	TSP - 4	MSP - 4
PCL 5	SSP - 5	TSP - 5	MSP - 5
PCL 6	SSP - 6	TSP - 6	MSP - 6
	M6	M6	M6
MATERIALS AND TYPE OF THREAD COMPONENTS AND ACCESSORIES	For mounting use N. 1 two clamps halves	For mounting use N. 2 two clamps halves	For mounting use N. 4 two clamps halves
All components and accessories are available in: Carbon steel St360 with finishing surface in white zinc-coated Fe Zn c8 II. Untreated area available on request. Stainless steel inox 316L . (X2 CrNiMo17-12-2) 1.4404 marked with X identification code.	 TYPE 2-7 1P	 TYPE 2-7 2P	 TYPE 4 4P
All the components are produced with metric thread, on request are also available with UNC thread. Metric thread: code M . UNC thread: code UNC .			
Materials description	Carbon steel St360 code PM C 1P Stainless st. AISI316L XPM C 1P	Carbon steel St360 code PM C 2P Stainless st. AISI316L code XPM C 2P	Carbon steel St360 code PM C 4P Stainless steel AISI316L code XPM C 4P
	Code Ve-Lock	Code Ve-Lock	Code Ve-Lock
	L1 L2 H H1 ØD	L1 L2 L3 H H1 ØD	L1 L2 L3 H H1 ØD
For mounting clamps using accessories standard series, see pages 4-6.	SSP - 1 60 20 6,5 20 12	TWP - 1 98 20 38 6,5 20 12	---
	SSP - 2 66 26 6,5 20 12	TWP - 2 110 26 44 6,5 20 12	---
For standard series accessories dimensions, see pages 7-9.	SSP - 3 73 33 6,5 20 12	TWP - 3 124 33 51 6,5 20 12	MSP - 3 226 33 51 6,5 20 12
	SSP - 4 80 40 6,5 20 12	TWP - 4 140 40 60 6,5 20 12	---
	SSP - 5 92 52 6,5 20 12	TWP - 5 166 52 75 6,5 20 12	---
	SSP - 6 100 66 6,5 20 12	TWP - 6 195 66 90 6,5 20 12	---



TWIN SERIES WITH SPACED PLATES ORDER CODES AND DIMENSIONS

Clamp body (two clamp halves) PCT	Single spaced plate SSP				Twin spaced plate TSP				Multiple spaced plate MSP										
 TYPE 1	 TYPE 1 1P				 TYPE 1 3P				 TYPE 1 5P										
PCT	SSP #				TSP #				MSP #										
For Dimensions, see page 28. For twin series clamp body materials characteristics see page 74.	Code Ve-Lock Type N. positions		Type of thread		Code Ve-Lock Type N. positions		Type of thread		Code Ve-Lock Type N. positions		Type of thread								
PCT 1	SSP 1		M6		TSP 1		M6		MSP 1		M6								
MATERIALS AND TYPE OF THREAD COMPONENTS AND ACCESSORIES	For mounting use N. 1 two clamps halves				For mounting use N. 3 two clamps halves				For mounting use N. 5 two clamps halves										
All components and accessories are available in: Carbon steel St360 with finishing surface in white zinc-coated Fe Zn c8 II. Untreated area available on request. Stainless steel inox 316L : (X2 CrNiMo17-12-2) 1.4404 marked with X identification code. All the components are produced with metric thread, on request are also available with UNC thread. Metric thread: code M . UNC thread: code UNC .	 TYPE 1				 TYPE 1-3				 TYPE 1-5										
 TOP PLATE TP 1	SSP				TSP				MSP										
For Dimensions, see page 29. For upper plate PS material characteristics, see page 74.	Code Ve-Lock					Code Ve-Lock					Code Ve-Lock								
PCT	SSP - 1	L1	H	H1	ØD	TSP - 1	L1	L2	L3	H	H1	ØD	MWP - 1	L1	L2	L3	H	H1	ØD
		53	6.5	20	12		133	40	26.5	6.5	20	12		213	40	26.5	6.5	20	12

PCT 1

For material characteristics of flat washer FB and hexagon head bolt HB, see page 74 (twin series clamps).

For Dimensions, see page 29.



HB

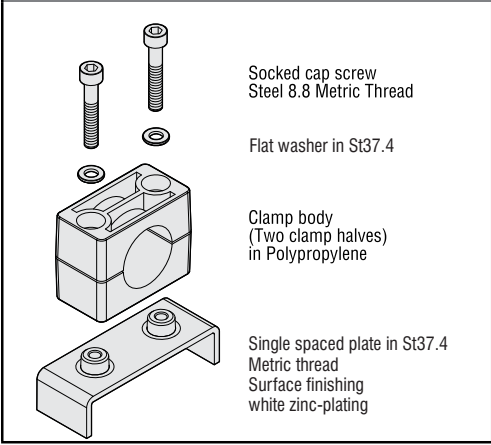


FW

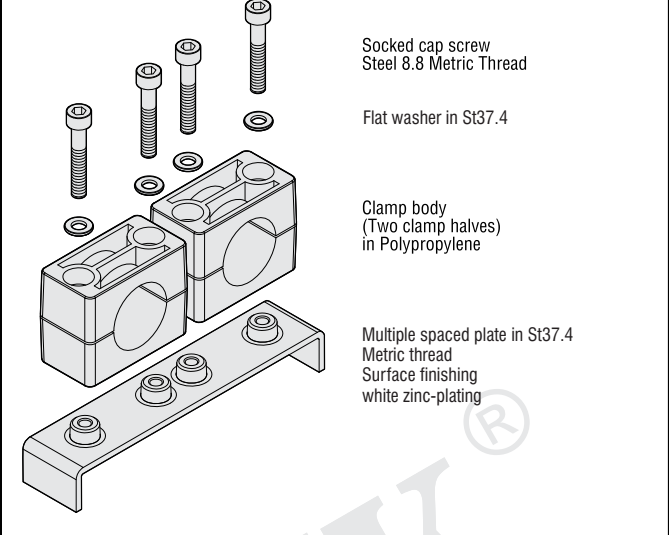


STANDARD & TWIN SERIES WITH SPACED PLATES MOUNTING EXAMPLE

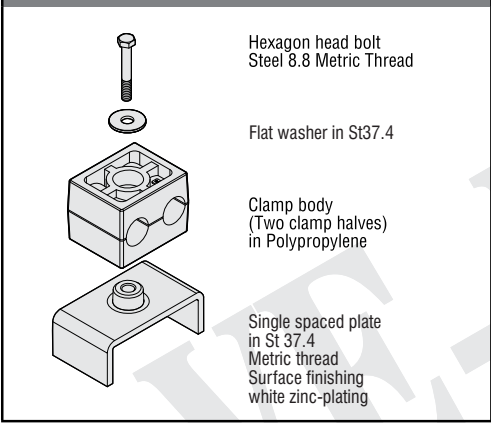
Mounting Example of complete clamp in Polypropylene for pipe with outside diameter of with single spaced plate 1 position.



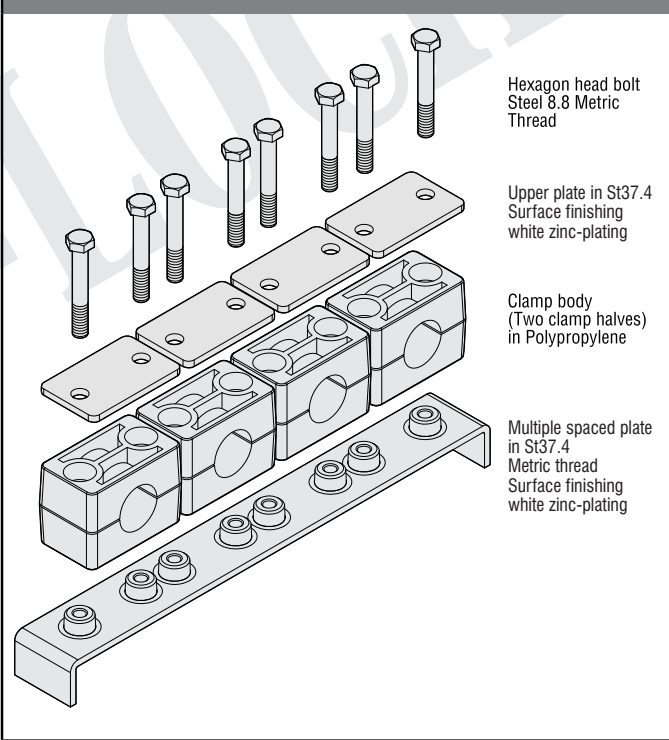
Mounting Example of complete clamp in Polypropylene for pipe with outside diameter of with multiple spaced plate 2 positions.



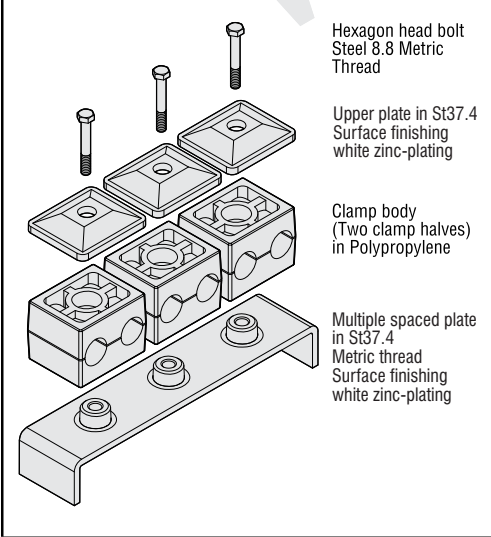
Mounting Example of complete clamp in Polypropylene for pipe with outside diameter of single spaced plate with upper plate.



Mounting Example of complete clamp in Polypropylene for pipe with outside diameter of with multiple spaced plate 4 positions and upper plate.



Mounting Example of complete clamp in Polypropylene for pipe with outside diameter of multiple spaced plate with upper plate.



NOTES	
# # : material clamp body	
PP: Polypropylene	PA: Polyamide
AL: Aluminium	RI: Rubber