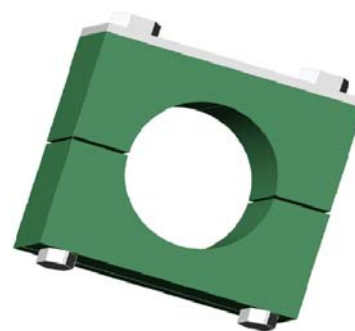
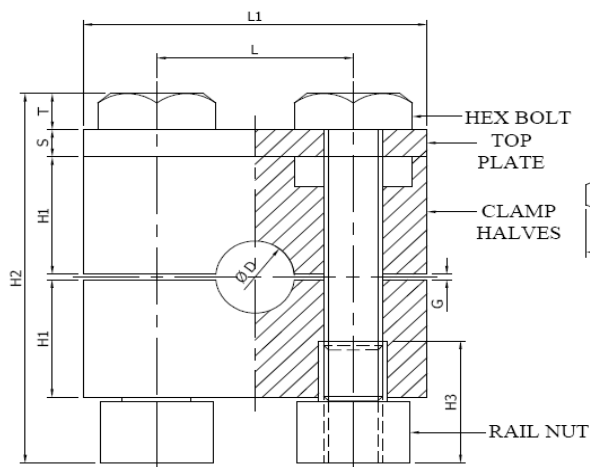




Rail Mounted Heavy Series Tube Clamps - PCH RN

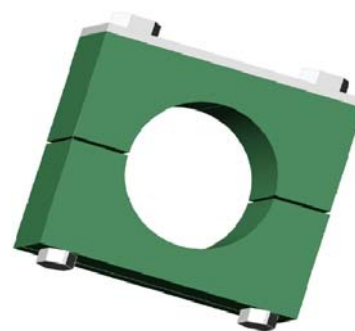
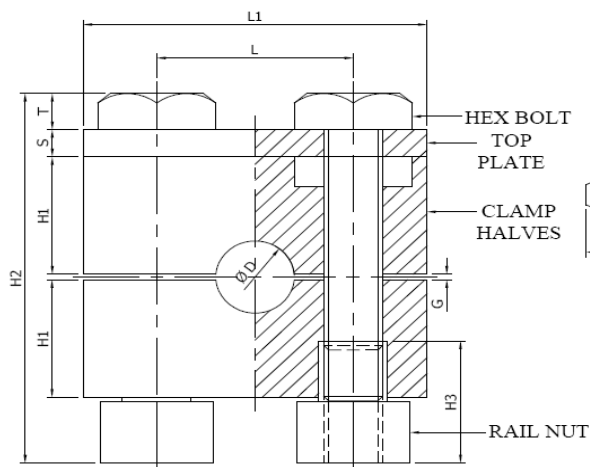


One Set = One Top Plate + 2 Rail Nuts + 2 Clamp Halves + 2 Hex headed Bolts

DIN /VE GROUP	OUR PART CODE	PIPE OD Dia = d	T	S	G	H1	H2	L	L1	H3	L3	BOLT SIZE
1	PCH RN 6 MM	6	7	8	0.6 TO 1 MM	16	55	33	55	21	24	M10 X 45
	PCH RN 6.4 MM	6.4										
	PCH RN 8 MM	8										
	PCH RN 9.5 MM	9.5										
	PCH RN 10 MM	10										
	PCH RN 12 MM	12										
	PCH RN 12.7 MM	12.7										
	PCH RN 13.5 MM	13.5										
	PCH RN 14 MM	14										
	PCH RN 15 MM	15										
	PCH RN 16 MM	16										
	PCH RN 17.2 MM	17.2										
PCH RN 18 MM	18											
2	PCH RN 19 MM	19	7	8	0.6 TO 1 MM	24		45	70	21	24	M10 X 60
	PCH RN 20 MM	20										
	PCH RN 21.3 MM	21.3										
	PCH RN 22 M	22										
	PCH RN 25 MM	25										
	PCH RN 26.9	26.9										
PCH RN 28 MM	28											
3	PCH RN 30 MM	30	7	8	0.6 TO 1 MM	30		60	85	21	24	M10 X 70
	PCH RN 32 MM	32										
	PCH RN 33.7 MM	33.7										
	PCH RN 35 MM	35										
	PCH RN 38 MM	38										
PCH RN 42 MM	42											
4	PCH RN 42 MM	42	8	10	2 MM	44		90	115	23	24	M12 X 100
	PCH RN 48.3 MM	48.3										
	PCH RN 50.8 MM	50.8										
	PCH RN 60.3 MM	60.3										
	PCH RN 63.5 MM	63.5										
PCH RN 65 MM	65											



Rail Mounted Heavy Series Tube Clamps - PCH RN



One Set = One Top Plate + 2 Rail Nuts + 2 Clamp Halves + 2 Hex headed Bolts

DIN /VE GROUP	OUR PART CODE	PIPE OD Dia = d	T	S	G	H1	H2	L	L1	H3	L3	BOLT SIZE
5	PCH 70 MM	70	10	10	2 MM	58		122	152	23	31	M 16 x 130
	PCH 73 MM	73										
	PCH 76.1 MM	76.1										
	PCH 88.9 MM	88.9										
6	PCH 102 MM	102	13	16	3 MM	77		168	206	28	34.4	M 20 x 180
	PCH 114 MM	114										
	PCH 127 MM	127										
	PCH 133 MM	133										
7	PCH 141 MM	141	15	16	3 MM	100		200	251	N/A	N/A	M 24 x 225
	PCH 152 MM	152										
	PCH 168 MM	168										
8	PCH 177.8 MM	177.8	18	25	3 MM	135		270	336	N/A	N/A	M 30 x 300
	PCH 193.7 MM	193.7										
	PCH 216 MM	216										
	PCH 219 MM	219										