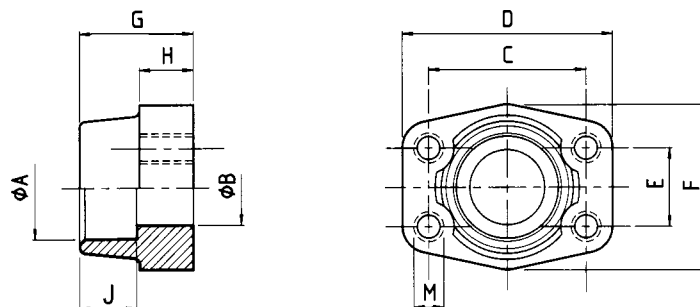




**VE-LOCK**  
**SAE FLANGES**

# SAE-SOCKET WELD FLANGE COMPANION



**Material:** 1. ST 44.3 (FE 430) ..... Carbon Steel  
2. 1.4404 316L ..... Stainless Steel

3.000 Series

Size	VE-LOCK® ITEM CODE	A	B	C	D	E	F	G	H	J	M (Screws)		Weight kg
											Metric	UNC	
1/2"	VEFL 396	21.6	13	38.10	54	17.48	46	36	16	19	M 8	5/16"	0.25
1/2"	VEFL 397	17.5	13	38.10	54	17.48	46	36	16	19	M 8	5/16"	0.28
1/2"	VEFL 398	20.3	13	38.10	54	17.48	46	36	16	19	M 8	5/16"	0.25
3/4"	VEFL 399	27.2	19	47.63	65	22.23	50	36	18	19	M 10	3/8"	0.39
3/4"	VEFL 400	25.3	19	47.63	65	22.23	50	36	18	19	M 10	3/8"	0.39
1"	VEFL 401	34.0	25	52.37	70	26.19	55	38	18	19	M 10	3/8"	0.46
1"	VEFL 402	30.3	25	52.37	70	26.19	55	38	18	19	M 10	3/8"	0.46
1 1/4"	VEFL 403	42.8	32	58.72	79	30.18	68	41	21	22	M 10	7/16"	0.66
1 1/4"	VEFL 404	38.3	32	58.72	79	30.18	68	41	21	22	M 10	7/16"	0.66
1 1/2"	VEFL 405	48.6	38	69.85	93	35.71	78	45	25	24	M 12	1/2"	1.05
1 1/2"	VEFL 406	50.5	38	69.85	93	35.71	78	45	25	24	M 12	1/2"	1.05
2"	VEFL 407	61.0	51	77.77	102	42.88	90	45	25	26	M 12	1/2"	1.19
2 1/2"	VEFL 408	76.6	63	88.90	114	50.80	105	50	25	30	M 12	1/2"	1.40
3"	VEFL 409	90.5	73	106.38	134	61.93	124	50	27	34	M 16	5/8"	2.15
3 1/2"	VEFL 410	103.0	89	120.65	152	69.85	136	48	27	34	M 16	5/8"	2.40
4"	VEFL 411	115.5	99	130.18	162	77.77	146	48	27	34	M 16	5/8"	2.85

6.000 Series

1/2"	VEFL 412	21.6	13	40.49	54	18.24	46	36	16	19	M 8	5/16"	0.26
1/2"	VEFL 413	17.5	13	40.49	54	18.24	46	36	16	19	M 8	5/16"	0.29
1/2"	VEFL 414	20.3	13	40.49	54	18.24	46	36	16	19	M 8	5/16"	0.26
3/4"	VEFL 415	27.2	19	50.80	71	23.80	55	35	21	22	M 10	3/8"	0.50
3/4"	VEFL 416	25.3	19	50.80	71	23.80	55	35	21	22	M 10	3/8"	0.50
1"	VEFL 417	34.0	25	57.15	81	27.76	65	42	25	22	M 12	7/16"	0.76
1"	VEFL 418	30.3	25	57.15	81	27.76	65	42	25	22	M 12	7/16"	0.76
1 1/4"	VEFL 419	42.8	32	66.68	95	31.75	78	45	27	25	M 14	1/2"	1.20
1 1/4"	VEFL 420	38.3	32	66.68	95	31.75	78	45	27	25	M 14	1/2"	1.20
1 1/2"	VEFL 421	48.6	38	79.38	112	36.50	94	50	30	28	M 16	5/8"	1.65
1 1/2"	VEFL 422	50.5	38	79.38	112	36.50	94	50	30	28	M 16	5/8"	1.65
2"	VEFL 423	61.0	51	96.82	134	44.45	114	65	37	24	M 20	3/4"	2.45
2 1/2"	VEFL 424	76.6	63	123.80	180	58.70	152	80	45	30	M 24	-	8.30