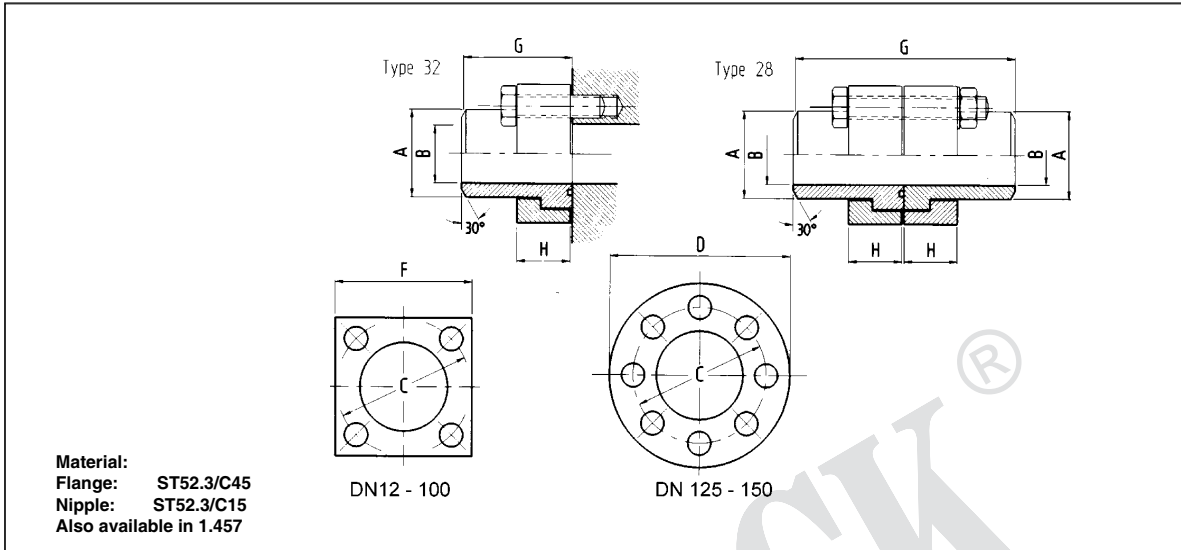




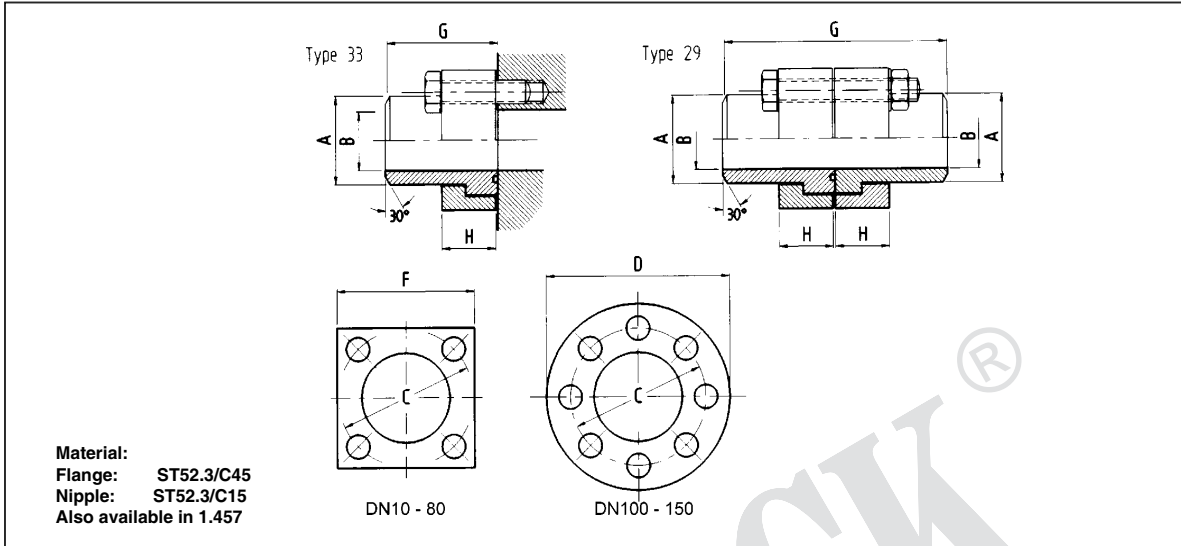
SQUARE FLANGE ND 160 BAR



Single Flange											
DN	VE-LOCK® ITEM CODE	ØA	ØB	C	F	D	H	G	M	o-ring	Weight kg
12	VEFL 1164	16 x 2.0	12	44	50	-	19	43	4/M 10 x 35	16.3 x 2.40	0.40
16	VEFL 1165	20 x 2.5	15	54	60	-	19	50	4/M 10 x 35	25.3 x 2.40	0.65
20	VEFL 1166	25 x 3.0	19	54	60	-	19	50	4/M 10 x 35	25.3 x 2.40	0.70
25	VEFL 1167	30 x 4.0	24	64	70	-	19	56	4/M 12 x 35	29.8 x 2.60	0.90
32	VEFL 1168	38 x 5.0	28	72	80	-	24	64	4/M 12 x 40	34.5 x 2.60	1.40
40	VEFL 1169	48.3 x 5.0	38	80	90	-	29	68	4/M 16 x 50	46.0 x 3.00	2.00
50	VEFL 1170	60.3 x 6.3	48	98	100	-	38	80	4/M 16 x 60	53.3 x 5.33	3.00
65	VEFL 1171	76.1 x 7.1	62	118	120	-	47	98	4/M 20 x 70	69.2 x 5.33	5.20
80	VEFL 1172	101.6 x 10.0	82	175	180	-	58	135	4/M 30 x 90	100.0 x 6.00	16.50
100	VEFL 1173	114.3 x 11.0	92	175	180	-	58	135	4/M 30 x 90	106.6 x 6.00	16.90
125	VEFL 1174	152.4 x 16.0	120	200	-	245	69	150	8/M24 x 100	132.7 x 7.00	26.50
150	VEFL 1175	177.8 x 17.5	143	245	-	300	79	190	8/M30 x 110	148.0 x 7.00	46.50
Coupling Flange											
12	VEFL 1176	16.0 x 2.0	12	44	50	-	19	82	4/M10 x 55	16.3 x 2.40	0.75
16	VEFL 1177	20.0 x 2.5	15	54	60	-	19	96	4/M10 x 60	25.3 x 2.40	1.15
20	VEFL 1178	25.0 x 3.0	19	54	60	-	19	96	4/M10 x 60	25.3 x 2.40	1.20
25	VEFL 1179	30.0 x 4.0	24	64	70	-	19	106	4/M12 x 60	29.8 x 2.60	1.70
32	VEFL 1180	38.0 x 5.0	28	72	80	-	24	122	4/M12 x 70	34.5 x 2.60	2.65
40	VEFL 1181	48.3 x 5.0	38	80	90	-	29	130	4/M16 x 80	46.0 x 3.00	3.80
50	VEFL 1182	60.3 x 6.3	48	98	100	-	38	153	4/M16 x 100	53.3 x 5.33	5.90
65	VEFL 1183	76.1 x 7.1	62	118	120	-	47	190	4/M20 x 120	69.2 x 5.33	9.90
80	VEFL 1184	101.6 x 10.0	82	175	180	-	58	262	4/M30 x 150	100.0 x 6.00	31.65
100	VEFL 1185	114.3 x 11.0	92	175	180	-	58	262	4/M30 x 150	106.0 x 6.00	32.15
125	VEFL 1186	152.4 x 16.0	120	200	-	245	69	292	8/M24 x 170	132.7 x 7.00	53.60
150	VEFL 1187	177.8 x 17.5	143	245	-	300	79	372	8/M30 x 200	148.0 x 7.00	92.75



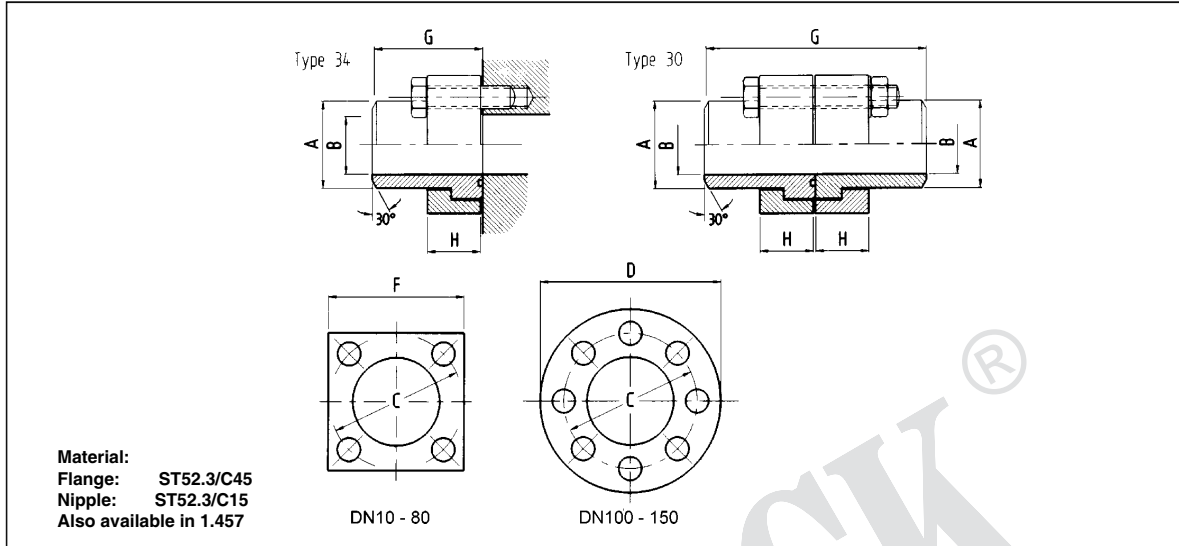
SQUARE FLANGE ND 250 BAR



Single Flange											
DN	VE-LOCK® ITEM CODE	ØA	ØB	C	F	D	H	G	M	o-ring	Weight kg
10	VEFL 1188	17.2 x 3.6	10	44	50	-	20	43	4/M 10 x 35	16.3 x 2.40	0.44
16	VEFL 1189	21.3 x 2.6	16	54	60	-	20	50	4/M 10 x 35	25.3 x 2.40	0.71
20	VEFL 1190	26.9 x 3.6	20	64	70	-	20	56	4/M 12 x 35	29.8 x 2.60	0.90
25	VEFL 1191	33.7 x 4.5	25	72	80	-	25	64	4/M 12 x 40	34.5 x 2.60	1.40
32	VEFL 1192	42.4 x 5.6	31	80	90	-	30	68	4/M 16 x 50	43.0 x 3.00	2.10
40	VEFL 1193	60.3 x 8.0	44	98	100	-	38	80	4/M 16 x 60	53.3 x 5.33	3.10
50	VEFL 1194	76.1 x 10.0	56	118	120	-	47	98	4/M 20 x 70	61.0 x 5.00	5.40
65	VEFL 1195	88.9 x 11.0	67	145	150	-	48	109	4/M 24 x 75	75.0 x 5.00	9.00
80	VEFL 1196	101.6 x 12.5	77	175	180	-	58	135	4/M 30 x 90	88.0 x 6.00	16.90
100	VEFL 1197	139.7 x 17.5	105	200	-	245	70	150	8/M 24 x 100	115.0 x 6.00	27.85
125	VEFL 1198	168.3 x 20.0	128	245	-	300	80	190	8/M 30 x 110	148.0 x 7.00	47.70
150	VEFL 1199	193.7 x 25.0	144	290	-	355	90	190	8/M 36 x 130	183.5 x 7.00	53.20
Coupling Flange											
10	VEFL 1200	17.2 x 3.6	10	44	50	-	20	82	4/M10 x 55	16.3 x 2.40	0.80
16	VEFL 1201	21.3 x 2.6	16	54	60	-	20	96	4/M10 x 60	25.3 x 2.40	1.22
20	VEFL 1202	26.4 x 3.6	20	64	70	-	20	106	4/M12 x 60	29.8 x 2.60	1.70
25	VEFL 1203	33.7 x 4.5	25	72	80	-	25	122	4/M12 x 70	34.5 x 2.60	2.70
32	VEFL 1204	42.4 x 5.6	31	80	90	-	30	130	4/M16 x 80	43.0 x 3.00	4.00
40	VEFL 1205	60.3 x 8.0	44	98	100	-	38	153	4/M16 x 100	53.3 x 5.33	6.00
50	VEFL 1206	76.1 x 10.0	56	118	120	-	47	190	4/M20 x 120	61.0 x 5.00	10.30
65	VEFL 1207	88.9 x 11.0	67	145	150	-	48	218	4/M24 x 130	75.0 x 5.00	17.45
80	VEFL 1208	101.6 x 12.5	77	175	180	-	58	262	4/M30 x 150	88.0 x 6.00	32.60
100	VEFL 1209	139.7 x 17.5	105	200	-	245	70	292	4/M24 x 170	115.0 x 6.00	54.00
125	VEFL 1210	168.3 x 20.0	128	245	-	300	80	372	8/M30 x 200	148.0 x 7.00	90.00
150	VEFL 1211	193.7 x 25.0	144	290	-	355	90	380	8/M36 x 220	183.5 x 7.00	105.00



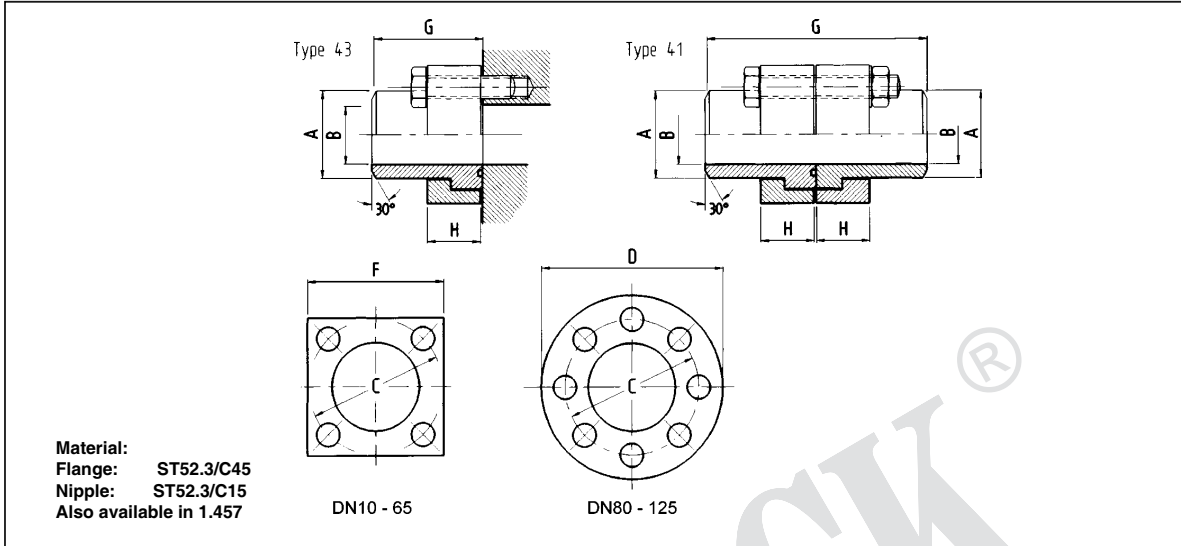
SQUARE FLANGE ND 315 BAR



Single Flange											
DN	VE-LOCK® ITEM CODE	ØA	ØB	C	F	D	H	G	M	o-ring	Weight kg
10	VEFL 1212	17.2 x 3.6	10	44	50	-	20	43	4/M 10 x 35	16.3 x 2.40	0.45
16	VEFL 1213	26.9 x 4.5	18	54	60	-	20	50	4/M 10 x 35	25.3 x 2.40	0.70
20	VEFL 1214	33.7 x 5.6	22	64	70	-	20	56	4/M 12 x 35	29.8 x 2.60	0.90
25	VEFL 1215	42.7 x 7.1	28	72	80	-	25	64	4/M 12 x 40	34.5 x 2.60	1.45
32	VEFL 1216	48.3 x 8.0	32	80	90	-	30	68	4/M 16 x 50	43.0 x 3.00	2.20
40	VEFL 1217	60.3 x 10.0	40	98	100	-	38	80	4/M 16 x 60	53.3 x 5.33	3.20
50	VEFL 1218	76.1 x 12.5	51	118	120	-	47	98	4/M 20 x 70	61.0 x 5.00	5.60
65	VEFL 1219	88.9 x 14.2	60	145	150	-	48	109	4/M 24 x 75	75.0 x 5.00	9.50
80	VEFL 1220	114.3 x 17.5	79	175	180	-	58	135	4/M 30 x 90	88.0 x 6.00	17.60
100	VEFL 1221	152.5 x 28.0	97	200	-	245	70	150	8/M 24 x 100	115.0 x 6.00	29.30
125	VEFL 1222	177.8 x 30.0	118	245	-	300	80	190	8/M 30 x 110	148.0 x 7.00	48.20
150	VEFL 1223	219.1 x 36.0	147	290	-	355	90	190	8/M 36 x 130	183.5 x 7.00	55.10
Coupling Flange											
10	VEFL 1224	17.2 x 3.6	10	44	50	-	20	82	4/M 10 x 55	16.3 x 2.40	0.81
16	VEFL 1225	26.9 x 4.5	18	54	60	-	20	96	4/M 10 x 60	25.3 x 2.40	1.21
20	VEFL 1226	33.7 x 5.6	22	64	70	-	20	106	4/M 12 x 60	29.8 x 2.60	1.70
25	VEFL 1227	42.4 x 7.1	28	72	80	-	25	122	4/M 12 x 70	34.5 x 2.60	2.70
32	VEFL 1228	48.3 x 8.0	32	80	90	-	30	130	4/M 16 x 80	43.0 x 3.00	4.15
40	VEFL 1229	60.3 x 10.0	40	98	100	-	38	153	4/ M16 x 100	53.3 x 5.33	6.25
50	VEFL 1230	76.1 x 12.5	51	118	120	-	47	190	4/M 20 x 120	61.0 x 5.00	10.80
65	VEFL 1231	88.9 x 14.2	60	145	150	-	48	218	4/M 24 x 130	75.0 x 5.00	18.35
80	VEFL 1232	114.3 x 17.5	89	175	180	-	58	262	4/M 30 x 150	88.0 x 6.00	33.80
100	VEFL 1233	152.5 x 28.0	96	200	-	245	70	292	8/M 24 x 170	115.0 x 6.00	57.20
125	VEFL 1234	177.8 x 30.0	118	245	-	300	80	372	8/M 30 x 200	148.0 x 7.00	95.00
150	VEFL 1235	219.1 x 36.0	147	290	-	355	90	380	8/M 36 x 220	183.5 x 7.00	109.20



SQUARE FLANGE ND 400 BAR



Single Flange											
DN	VE-LOCK® ITEM CODE	A	B	C	F	D	H	G	M	o-ring	Weight kg
10	VEFL 1236	17.2 x 3.6	10	44	50	-	20	43	4/M 10 x 35	16.3 x 2.40	0.45
16	VEFL 1237	26.9 x 5.6	16	54	60	-	20	50	4/M 10 x 35	25.3 x 2.40	0.70
20	VEFL 1238	33.7 x 6.3	21	64	70	-	20	56	4/M 12 x 35	29.8 x 2.60	0.90
25	VEFL 1239	42.7 x 8.0	26	72	80	-	25	64	4/M 12 x 40	34.5 x 2.60	1.45
32	VEFL 1240	60.3 x 12.5	35	98	100	-	38	80	4/M 16 x 50	53.3 x 5.33	2.20
40	VEFL 1241	70.0 x 14.2	41	118	120	-	45	100	4/M 20 x 60	61.0 x 5.00	3.20
50	VEFL 1242	88.9 x 17.5	54	145	150	-	48	109	4/M 24 x 70	75.0 x 5.00	5.60
65	VEFL 1243	101.6 x 20.0	62	175	180	-	58	135	4/M 30 x 95	88.0 x 6.00	9.50
80	VEFL 1244	139.7 x 28.0	83	200	-	245	70	150	8/M 24 x 100	115.0 x 6.00	17.60
100	VEFL 1245	168.3 x 32.0	104	245	-	300	80	190	8/M 30 x 110	148.0 x 7.00	29.30
125	VEFL 1246	219.1 x 45.0	129	290	-	355	90	190	8/M 36 x 130	183.5 x 7.00	48.20
Coupling Flange											
10	VEFL 1247	17.2 x 3.6	10	44	50	-	20	80	4/M 10 x 55	16.3 x 2.40	0.81
16	VEFL 1248	26.9 x 5.6	16	54	60	-	20	94	4/M 10 x 60	25.3 x 2.40	1.21
20	VEFL 1249	33.7 x 6.3	21	64	70	-	20	106	4/M 12 x 60	29.8 x 2.60	1.70
25	VEFL 1250	42.4 x 8.0	26	72	80	-	25	122	4/M 12 x 70	34.5 x 2.60	2.70
32	VEFL 1251	60.3 x 12.5	35	98	100	-	38	130	4/M 16 x 80	53.3 x 5.33	4.15
40	VEFL 1252	70.0 x 14.2	41	118	120	-	45	190	4/M 20 x 110	61.0 x 5.00	6.25
50	VEFL 1253	88.9 x 17.5	54	145	180	-	48	210	4/M 24 x 120	75.0 x 5.00	10.80
65	VEFL 1254	101.6 x 20.0	62	175	180	-	58	262	4/M 30 x 130	88.0 x 6.00	18.35
80	VEFL 1255	139.7 x 28.0	83	200	-	245	70	292	8/M 24 x 170	115.0 x 6.00	33.80
100	VEFL 1256	168.3 x 32.0	104	245	-	300	80	372	8/M 30 x 200	148.0 x 7.00	57.20
125	VEFL 1257	219.1 x 45.0	129	290	-	355	90	380	8/M 36 x 220	183.5 x 7.00	95.00