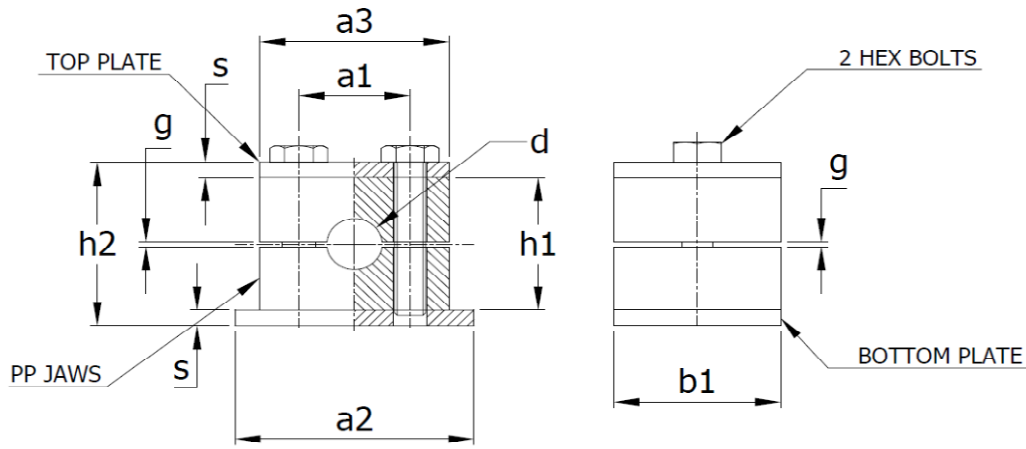


**PIPE CLAMP - STANDARD SERIES - DIN 3015 -PART -1**



**ONE SET = ONE TOP PLATE + ONE BOTTOM PLATE + 2 HEX BOLTS + ONE PAIRS OF PP JAWS**

DIN GROUP	OUR PART CODE	PIPE OD Dia - d	a2	a3	a1	b1	G	S	h1	h2	HEX BOLT SIZE
	<b>Ve-Lock</b>	IN MM	IN MM	IN MM	IN MM	IN MM	IN MM	IN MM	IN MM	IN MM	SIZE x LENGTH
1	PCL 6 MM	6	43	34	20	30	0.4	3	27	33	M6 x 30 MM
	PCL 6.4 MM	6.4									
	PCL 8 MM	8									
	PCL 9.5 MM	9.5									
	PCL 10 MM	10									
	PCL 12 MM	12									
2	PCL 12.7 MM	12.7	48	42	26	30	0.6	3	32-33	38	M6 x 37 MM
	PCL 13.7 MM	13.7									
	PCL 14 MM	14									
	PCL 15 MM	15									
	PCL 16 MM	16									
	PCL 17.2 MM	17.2									
3	PCL 19 MM	19	56	50	33	30	0.6	3	36	42	M6 x 40 MM
	PCL 20 MM	20									
	PCL 21.3 MM	21.3									
	PCL 22 MM	22									
	PCL 25 MM	25									
4	PCL 26.9 MM	26.9	62	60	40	30	0.6	3	42	48	M6 x 45 MM
	PCL 28 MM	28									
	PCL 30 MM	30									
5	PCL 32 MM	32	74	70	52	30	0.8	3	58	64	M6 x 60 MM
	PCL 33.7 MM	33.7									
	PCL 35 MM	35									
	PCL 38 MM	38									
	PCL 40 MM	40									
6	PCL 42 MM	42	88	86	66	30	0.8	3	66	72	M6 x 70 MM
	PCL 44.5 MM	44.5									
	PCL 48.3 MM	48.3									
7	PCL 50.8 MM	50.8	122	118	94	30	0.8	3 or 5	93	99 or 103	M6 x 100 MM
	PCL 60.3 MM	60.3									
	PCL 63.5 MM	63.5									
	PCL 76.1 MM	76.1									