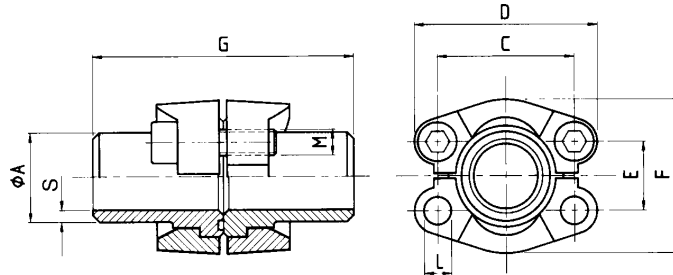




BUTT WELD COUPLING LOOSE HEAD FLANGE



Material: 1 ST 52.3 (FE 510).....Carbon Steel

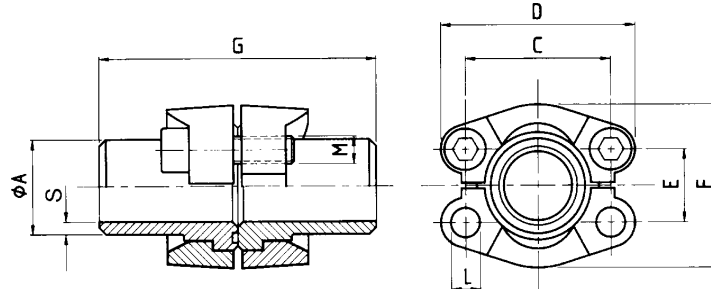
Note: Maximum recommended working pressure 40 bar all sizes



6.000 Series													
Size	Maximum Working Pressure kg/cm ²	VE-LOCK® ITEM CODE	Tube		C	D	E	F	G	L	M (Screws)		Weight kg
			Ø	Wall							Metric	UNC	
			A	S									
1/2"	414	VEFL 722	16.0	2.0	40.49	56	18.24	47.2	68	8.5	M 8 x 30	5/16" x 1 1/4"	0.60
			20.0	2.5									
			21.3	2.9									
3/4"	414	VEFL 723	16.0	2.0	50.80	71	23.80	60.0	76	10.5	M 10 x 35	3/8" x 1 1/4"	1.10
			20.0	2.5									
			25.0	3.0									
			25.0	3.5									
			25.0	4.0									
1"	414	VEFL 724	25.0	3.0	57.15	81	27.76	69.6	80	12.0	-	7/16" x 1 3/4"	1.70
			30.0	3.0									
			30.0	4.0									
			33.7	7.1									
			38.4	4.0									
1 1/4"	414	VEFL 725	25.0	3.0	66.68	95	31.75	77.2	90	13.5	-	1/2" x 1 3/4"	2.50
			30.0	4.0									
			38.0	5.0									
			38.0	5.5									
			42.4	6.3									
1 1/2"	414	VEFL 726	38.0	5.0	79.38	113	36.50	95.0	100	16.75	M 16 x 55	5/8" x 2"	4.10
			45.0	6.5									
			48.3	5.0									
			48.3	6.3									
			48.3	7.1									
			48.3	8.0									
			48.3	8.8									
			50.0	6.0									
			2"	414									
60.3	6.3												
60.3	7.5												
60.3	8.0												
60.3	8.75												
60.3	10.0												
60.3	13.4												
2 1/2"	414	VEFL 728	76.1	8.0	123.80	180	58.80	150.2	150	26.0	M 24 x 75	-	15.0
			76.1	10.0									
			88.9	10.0									
			88.9	11.0									
			88.9	14.2									
3"	414	VEFL 729	88.9	10.0	152.40	215	71.60	198.2	160	31	M 30 x 90	-	27.0
			88.9	11.0									
			88.9	14.2									
			114.3	11.0									
			114.3	17.5									



BUTT WELD COUPLING LOOSE HEAD FLANGE



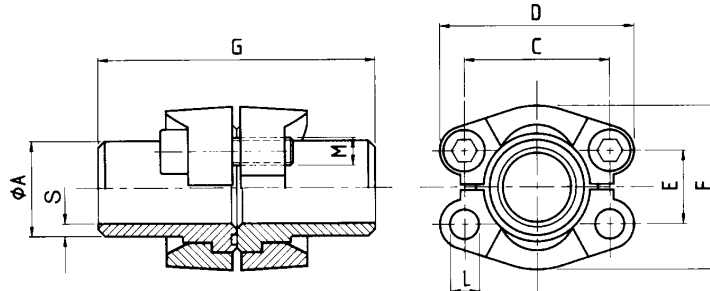
Material: 1 ST 52.3 (FE 510).....Carbon Steel

Note: Maximum recommended working pressure 40 bar all sizes

3.000 Series													
Size	Maximum Working Pressure kg/cm ²	VE-LOCK® ITEM CODE	Tube		C	D	E	F	G	L	M (Screws)		Weight kg
			Ø	Wall							Metric	UNC	
			A	S									
1/2"	345	VEFL 730	16.0	2.0	38.10	54	17.48	45.6	82	8.5	M 8 x 30	5/16" x 1 1/4"	0.50
			20.0	2.5									
			21.3	2.9									
			21.3	3.8									
3/4"	345	VEFL 731	25.0	3.0	47.63	65	22.23	51.8	100	10.5	M 10 x 30	3/8" x 1 1/4"	0.80
			26.9	3.6									
			26.9	3.9									
1"	345	VEFL 732	25.0	3.0	52.37	70	26.19	58.4	100	10.5	M 10 x 35	3/8" x 1 1/4"	1.10
			30.0	3.0									
			30.0	4.0									
			33.7	4.5									
			38.0	4.0									
			38.0	5.0									
1 1/4"	276	VEFL 733	25.0	3.0	58.72	79	30.18	72.6	110	12	-	7/16" x 1 1/2"	1.50
			30.0	3.0									
			38.0	3.0									
			38.0	4.0									
			38.0	5.0									
			42.4	3.6									
			42.4	4.5									
42.4	6.3												
1 1/2"	207	VEFL 734	38.0	4.0	69.85	94	35.71	82.2	114	13.5	M 12 x 35	1/2" x 1 1/2"	2.20
			42.0	3.0									
			42.0	5.0									
			45.0	5.0									
			48.3	2.6									
			48.3	3.6									
			48.3	5.0									
			48.3	6.3									
			48.3	7.1									
			50.0	6.0									
2"	207	VEFL 735	48.3	5.0	77.77	102	42.88	96.4	114	13.5	M 12 x 35	1/2" x 1 1/2"	2.40
			55.0	5.0									
			60.3	2.9									
			60.3	3.9									
			60.3	5.0									
			60.3	6.3									
			60.3	8.0									
2 1/2"	172	VEFL 736	65.0	6.0	88.90	114	50.80	108.20	116	13.5	M 12 x 40	1/2" x 3/4"	3.50
			70.0	7.5									
			76.1	5.5									
			76.1	7.1									



BUTT WELD COUPLING LOOSE HEAD FLANGE



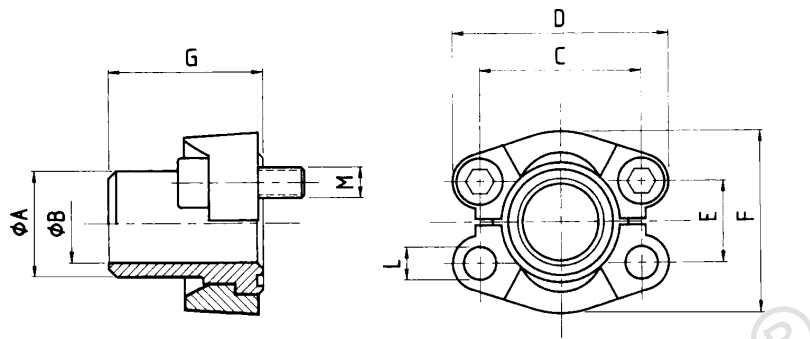
Material: 1 ST 52.3 (FE 510).....Carbon Steel

Note: Maximum recommended working pressure 40 bar all sizes

3.000 Series													
Size	Maximum Working Pressure kg/cm ³	VE-LOCK® ITEM CODE	Tube		C	D	E	F	G	ØL	M (Screws)		Weight kg
			Ø	Wall							Metric	UNC	
			A	S									
3"	138	VEFL 737	8.0	6.0	106.38	135	61.93	130.6	120	16.75	M 16 x 45	5/8" x 2"	5.30
			88.9	3.2									
			88.9	3.6									
			88.9	7.0									
3 1/2"	34	VEFL 738	100.0	6.0	120.65	152	69.85	139.0	120	17.00	M 16 x 45	5/8" x 2"	5.30
			88.9	3.6									
			88.9	8.0									
4"	34	VEFL 739	110.0	6.0	130.18	162	77.77	152.0	120	17.00	M 16 x 50	5/8" x 2"	7.50
			114.3	3.6									
			114.3	6.02									
			114.3	8.8									
5"	34	VEFL 740	133.0	6.5	152.40	184	92.08	180.0	120	17.00	M 16 x 50	5/8" x 2"	11.00
			139.7	4.0									
			139.7	10.0									



BUTT WELD LOOSE HEAD FLANGE

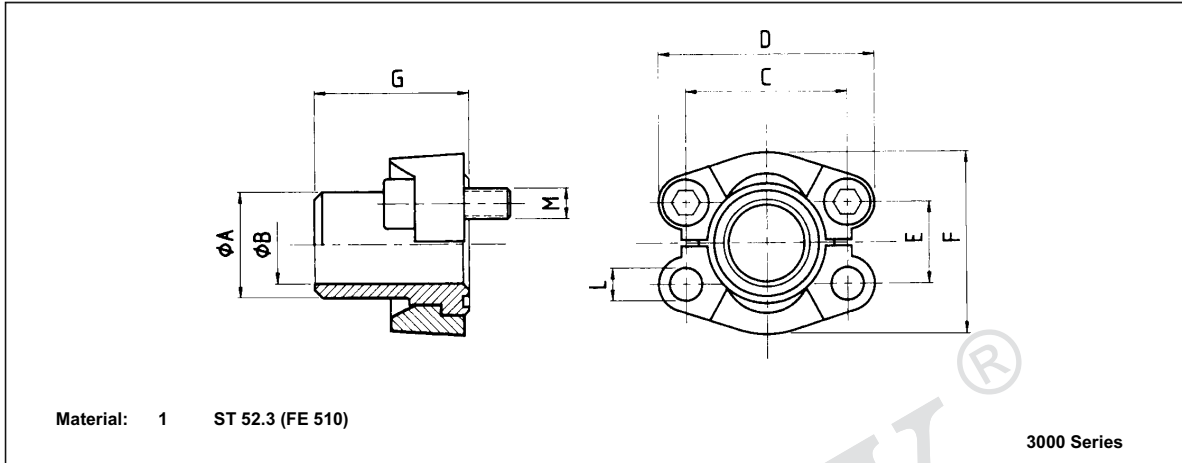


Material: 1 ST 52.3 (FE 510)

3.000 Series													
Size	Maximum Working Pressure kg/cm ³	VE-LOCK® ITEM CODE	Tube		C	D	E	F	G	L	M (Screws)		Weight kg
			Ø	Wall							Metric	UNC	
			A	S									
1/2"	345	VEFL 741	16.0	2.0	38.10	54	17.48	45.6	41	8.5	M 8 x 25	5/16" x 1 1/4"	0.08
			20.0	2.5									
			21.3	2.9									
			21.3	3.8									
			21.3	4.7									
3/4"	345	VEFL 742	25.0	3.0	47.63	65	22.23	51.8	50	10.5	M 10 x 30	3/8" x 1 1/4"	0.16
			26.9	3.6									
			26.9	3.9									
1"	345	VEFL 743	25.0	3.0	52.37	70	26.19	58.4	50	10.5	M 10 x 30	3/8" x 1 1/4"	0.23
			30.0	3.0									
			30.0	4.0									
			33.7	4.5									
			38.0	4.0									
			38.0	5.0									
1 1/4"	276	VEFL 744	25.0	3.0	58.72	79	30.18	72.6	55	12	-	7/16" x 1 1/2"	0.30
			30.0	3.0									
			38.0	3.0									
			38.0	4.0									
			38.0	5.0									
			42.4	3.6									
			42.4	4.5									
42.4	6.3												
1 1/2"	207	VEFL 745	38.0	4.0	69.85	94	35.71	82.2	57	13.5	M 12 x 35	1/2" x 1 1/2"	0.40
			42.0	3.0									
			42.0	5.0									
			45.0	5.0									
			48.3	2.6									
			48.3	3.6									
			48.3	5.0									
			48.3	6.3									
			48.3	7.1									
			50.0	6.0									
2"	207	VEFL 746	48.3	5.0	77.77	102	42.88	96.4	57	13.5	M 12 x 35	1/2" x 1 1/4"	0.50
			55.0	5.0									
			60.3	2.9									
			60.3	3.9									
			60.3	5.0									
			60.3	6.3									
			60.3	8.0									
2 1/2"	172	VEFL 747	65.0	6.0	88.90	114	50.80	108.20	58	13.5	M 12 x 40	1/2" x 1 3/4"	0.80
			70.0	7.5									
			76.1	5.5									
			76.1	7.1									
			76.1	7.1									



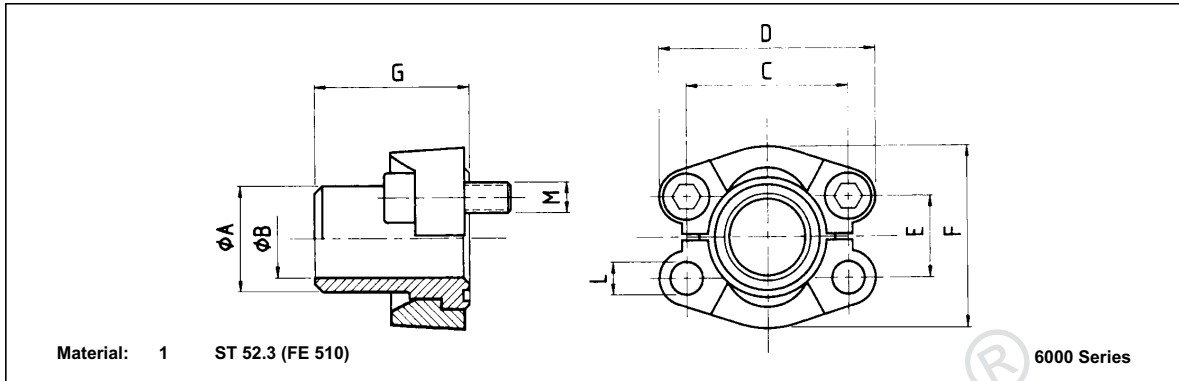
BUT WELD LOOSE HEAD FLANGE



3.000 Series													
Size	Maximum Working Pressure kg/cm ³	VE-LOCK® ITEM CODE	Tube		C	D	E	F	G	L	M (Screws)		Weight kg
			Ø	Wall							Metric	UNC	
			A	S									
3"	138	VEFL 748	80.0	6.0	106.38	135	61.93	130.6	58	16.75	M 16 x 45	5/8" x 2"	1.10
			88.9	3.2									
			88.9	3.9									
			88.9	7.0									
			88.9	8.0									
3 1/2"	34	VEFL 749	100.0	6.0	120.65	152	69.85	139.0	60	17.00	M 16 x 45	5/8" x 2"	1.40
			88.9	3.6									
			88.9	8.0									
4"	34	VEFL 750	110.0	6.0	130.18	162	77.77	152.0	60	17.00	M 16 x 50	5/8" x 2"	1.75
			114.3	3.6									
			114.3	6.02									
			114.3	8.8									
5"	34	VEFL 751	133.0	6.5	152.40	184	92.08	180.0	60	17.00	M 16 x 50	5/8" x 2"	2.62
			139.7	4.0									
			139.7	10.0									



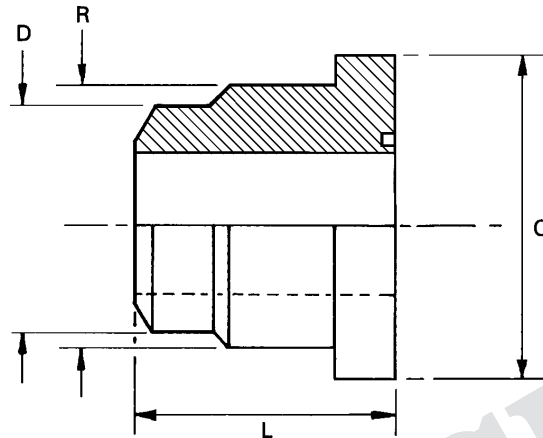
BUTT WELD LOOSE HEAD FLANGE



6.000 psi													
Size	Maximum Working Pressure kg/cm ²	VE-LOCK® ITEM CODE	Tube		C	D	E	F	G	L	M (Screws)		Weight kg
			Ø	Wall							Metric	UNC	
			A	S									
1/2"	414	VEFL 752	16.0	2.0	40.49	56	18.24	47.2	34	8.5	M 8 x 30	5/16" x 1 1/4"	0.08
			20.0	2.5									
			21.3	4.5									
3/4"	414	VEFL 753	16.0	2.0	50.80	71	23.80	60.0	38	10.5	M 10 x 35	3/8" x 1 1/2"	0.17
			20.0	2.5									
			25.0	3.0									
			25.0	3.5									
			26.9	5.6									
1"	414	VEFL 754	25.0	3.0	57.15	81	27.76	69.6	40	12.0	-	7/16" x 1 3/4"	0.25
			30.0	3.0									
			30.0	4.0									
			33.7	6.3									
			33.7	7.1									
			38.4	4.0									
1 1/4"	414	VEFL 755	25.0	3.0	66.68	95	31.75	77.2	45	13.5	-	1/2" x 1 3/4"	0.30
			30.0	4.0									
			38.0	4.0									
			38.0	5.0									
			42.4	6.3									
1 1/2"	414	VEFL 756	38.0	5.0	79.38	113	36.50	95.0	50	16.75	M 16 x 55	5/8" x 2"	0.53
			45.0	6.5									
			48.3	5.0									
			48.3	6.3									
			48.3	7.1									
			48.3	8.0									
			48.3	8.8									
			50.0	6.0									
2"	414	VEFL 757	48.3	6.3	96.82	133	44.45	113.8	58	21.0	M 20 x 65	3/4" x 2 1/2"	0.90
			60.3	6.3									
			60.3	7.5									
			60.3	8.0									
			60.3	8.75									
			60.3	10.0									
			60.3	13.4									
2 1/2"	414	VEFL 758	76.1	8.0	123.80	180	58.80	150.2	75	26.0	M 24 x 75	-	2.40
			76.1	10.0									
			88.9	10.0									
			88.9	11.1									
			88.9	14.2									
3"	414	VEFL 759	88.9	10.0	152.40	215	71.60	198.2	80	31	M 30 x 90	-	3.60
			88.9	11.1									
			88.9	14.2									
			114.3	11.0									
			114.3	17.5									



BUTT WELD NIPPLE ADAPTOR FOR USE WITH SAE FLANGE CLAMP

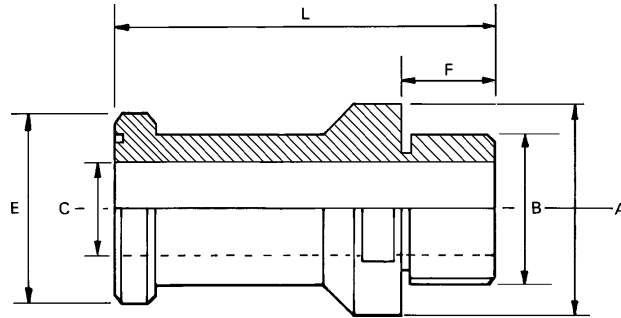


- Material: 1 ST 52.3 (FE 510).....Mild Steel
 2. 1.4404 316L.....Stainless Steel

3.000 Series					
Size	VE-LOCK® ITEM CODE	ØC	ØD	L	ØR
1/2"	VEFL 760	30.2	14.5	30	24
3/4"	VEFL 761	38.1	20.5	30	32
1"	VEFL 762	44.4	28.0	35	38
1 1/4"	VEFL 763	50.8	33.0	35	43
1 1/2"	VEFL 764	60.3	42.0	35	50
2"	VEFL 765	71.4	52.0	35	62
2 1/2"	VEFL 766	84.1	65.0	40	74
3"	VEFL 767	101.6	81.0	45	90
3 1/2"	VEFL 768	114.3	93.0	45	102
4"	VEFL 769	127.0	106.0	45	114
5"	VEFL 770	152.4	131.0	50	140
6.000 Series					
1/2"	VEFL 771	31.8	14.5	30	24
3/4"	VEFL 772	41.3	20.5	40	32
1"	VEFL 773	47.6	28.0	45	38
1 1/4"	VEFL 774	54.0	33.0	45	44
1 1/2"	VEFL 775	63.5	42.0	50	51
2"	VEFL 776	79.4	52.0	60	67
2 1/2"	VEFL 777	108.0	65.0	75	89
3"	VEFL 778	132.0	81.0	80	114



SAE (MALE) BSPP ADAPTORS



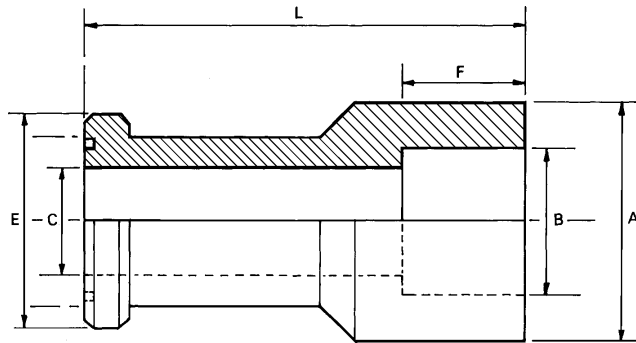
Material: 1 ST 52.3 (FE 510).....Mild Steel
 2. 1.4404 316L.....Stainless Steel

NB: Also to customer specification

3.000 Series							
Size	VE-LOCK® ITEM CODE	ØA	B	ØC	ØE	F	L
1/2"	VEFL 779	25	1/2"	14	30.2	20	80
3/4"	VEFL 780	40	3/4"	19	37.4	20	80
1"	VEFL 781	45	1"	25	44.4	20	84
1 1/4"	VEFL 782	55	1 1/4"	32	50.8	23	95
1 1/2"	VEFL 783	65	1 1/2"	38	60.3	25	100
2"	VEFL 784	80	2"	51	71.4	27	103
2 1/2"	VEFL 785	90	2 1/2"	63	84.3	27	115
3"	VEFL 786	100	3"	73	101.6	27	120
3 1/2"	VEFL 787	120	3 1/2"	89	114.5	27	125
4"	VEFL 788	140	4"	99	127.6	27	125
6.000 Series							
1/2"	VEFL 789	25	1/2"	13	31.7	20	85
3/4"	VEFL 790	40	3/4"	19	41.8	20	90
1"	VEFL 791	45	1"	25	47.6	20	100
1 1/4"	VEFL 792	55	1 1/4"	31	54.0	20	110
1 1/2"	VEFL 793	65	1 1/2"	38	63.7	20	120
2"	VEFL 794	80	2"	51	79.4	20	130



SAE (FEMALE) SOCKET WELD ADAPTORS



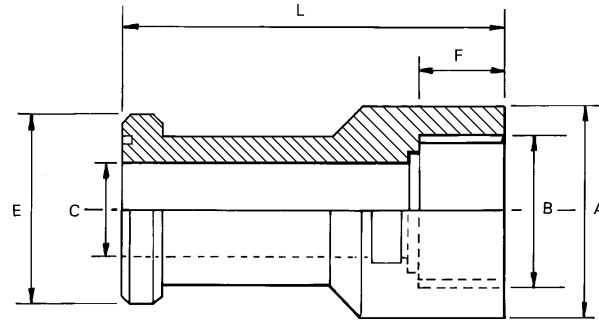
Material: 1 ST 52.3 (FE 510).....Mild Steel
 2. 1.4404 316L.....Stainless Steel

NB: Also to customer specification

3.000 Series							
Size	VE-LOCK® ITEM CODE	ØA	B	ØC	ØE	F	L
1/2"	VEFL 795	35	21.6	14	30.0	18	80
3/4"	VEFL 796	40	27.2	19	38.0	18	80
1"	VEFL 797	45	34.0	25	44.4	18	84
1 1/4"	VEFL 798	55	42.8	32	50.8	20	95
1 1/2"	VEFL 799	65	48.6	38	60.3	22	100
2"	VEFL 800	80	61.0	51	71.4	24	103
2 1/2"	VEFL 801	96	76.6	63	84.0	28	110
3"	VEFL 802	120	90.5	73	101.5	28	115
3 1/2"	VEFL 803	130	103.0	89	114.5	28	120
4"	VEFL 804	145	115.5	99	127.5	28	120
6.000 Series							
1/2"	VEFL 805	37	17.5	13	32.0	18	90
3/4"	VEFL 806	47	27.2	19	41.0	20	95
1"	VEFL 807	55	34.0	25	47.5	22	100
1 1/4"	VEFL 808	65	42.8	31	54.0	22	120
1 1/2"	VEFL 809	70	48.6	38	63.5	24	130
2"	VEFL 810	90	61.0	51	79.5	24	140



SAE BSPF FEMALE ADAPTORS



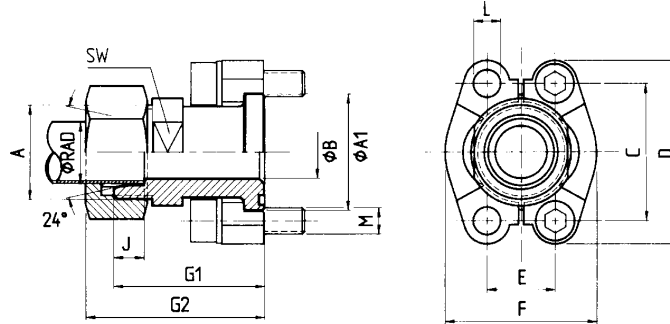
Material: 1 ST 52.3 (FE 510).....Mild Steel
 2. 1.4404 316L.....Stainless Steel

NB: Also to customer specification

3.000 Series							
Size	VE-LOCK® ITEM CODE	A	B	C	E	F	L
1/2"	VEFL 811	25	1/2"	14	30.2	20	80
3/4"	VEFL 812	40	3/4"	19	37.4	20	80
1"	VEFL 813	45	1"	25	44.4	20	84
1 1/4"	VEFL 814	55	1 1/4"	32	50.8	23	95
1 1/2"	VEFL 815	65	1 1/2"	38	60.3	25	100
2"	VEFL 816	80	2"	51	71.4	27	103
2 1/2"	VEFL 817	90	2 1/2"	63	84.3	27	115
3"	VEFL 818	100	3"	73	101.6	27	120
3 1/2"	VEFL 819	120	3 1/2"	89	114.5	27	125
4"	VEFL 820	140	4"	99	127.6	27	125
6.000 Series							
1/2"	VEFL 821	25	1/2"	13	31.7	20	85
3/4"	VEFL 822	40	3/4"	19	41.8	20	90
1"	VEFL 823	45	1"	25	47.6	20	100
1 1/4"	VEFL 824	55	1 1/4"	31	54.0	20	110
1 1/2"	VEFL 825	65	1 1/2"	38	63.7	20	120
2"	VEFL 826	80	2"	51	79.4	20	130



SAE-METRIC THREADED FLANGE DIN 3901/3902

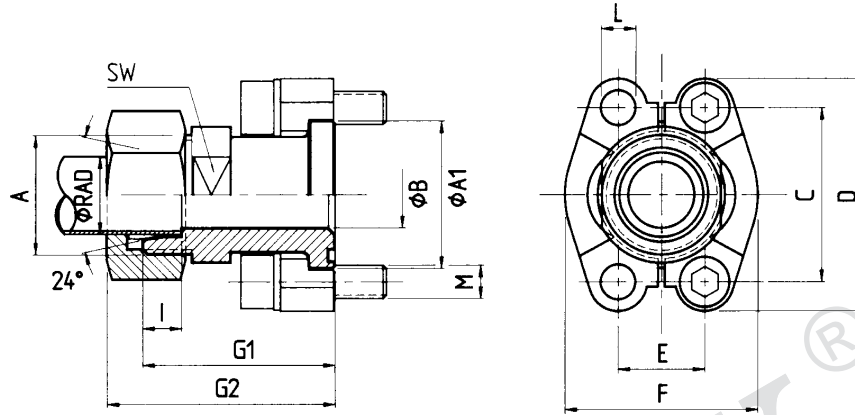


Material: 1 9SMnPb28K/C15.....mild steel - zinc plated, yellow chromated
 2. 1.4571, 316Ti.....stainless steel

3.000 Series																	
Size	Maximum Working Pressure kg/cm ²	VE-LOCK® ITEM CODE	A	A ₁	B	C	D	E	F	G ₁	G ₂	J	ØL	SW	M (Screws)		Weight kg
															Metric	UNC	
1/2"	315	VEFL 827	M 22 x 1.5	30.2	16/20	38.10	54	17.48	45.6	48.2	56	7.0	8.5	24	M 8 x 30	5/16" x 1 1/4"	0.29
1/2"	350	VEFL 828	M 24 x 1.5	30.2	13.0	38.10	54	17.48	45.6	50.2	60	8.5	8.5	24	M 8 x 30	5/16" x 1 1/4"	0.32
3/4"	315	VEFL 829	M 26 x 1.5	38.1	15/20	47.63	65	22.23	51.8	53.2	62	7.5	10.5	30	M 10 x 35	3/8" x 1 1/2"	0.55
3/4"	160	VEFL 830	M 30 x 2.0	38.1	19	47.63	65	22.23	51.8	53.2	62	7.5	10.5	30	M 10 x 35	3/8" x 1 1/2"	0.56
3/4"	160	VEFL 831	M 36 x 2.0	38.1	19	47.63	65	22.23	51.8	53.2	62	7.5	10.5	30	M 10 x 35	3/8" x 1 1/2"	0.75
3/4"	350	VEFL 832	M 30 x 2.0	38.1	16/20	47.63	65	22.23	51.8	57.2	68	10.5	10.5	30	M 10 x 35	3/8" x 1 1/2"	0.63
3/4"	350	VEFL 833	M 36 x 2.0	38.1	17	47.63	65	22.23	51.8	57.2	69	12.0	10.5	30	M 10 x 35	3/8" x 1 1/2"	0.76
1"	160	VEFL 834	M 36 x 2.0	44.4	24	52.37	70	26.19	58.4	54.2	65	7.5	10.5	36	M 10 x 35	3/8" x 1 1/2"	0.69
1"	350	VEFL 835	M 36 x 2.0	44.4	20	52.37	70	26.19	58.4	58.2	70	12.0	10.5	36	M 10 x 35	3/8" x 1 1/2"	0.78
1"	350	VEFL 836	M 42 x 2.0	44.4	24	52.37	70	26.19	58.4	63.2	76	13.5	10.5	36	M 10 x 35	3/8" x 1 1/2"	0.91
1 1/4"	160	VEFL 837	M 36 x 2.0	50.8	22	58.72	79	30.18	72.6	58.6	67	7.5	10.5	36	M 10 x 30	-	1.05
													12.5		M 12 x 40	-	
													12.0		-	7/16" x 1 1/4"	
1 1/4"	160	VEFL 838	M 45 x 2.0	50.8	30/32	58.72	79	30.18	72.6	58.6	69	10.5	10.5	41	M 10 x 30	-	1.10
													12.5		M 12 x 40	-	
													12.0		-	7/16" x 1 1/4"	
1 1/4"	280	VEFL 839	M 36 x 2.0	50.8	20/27	58.72	79	30.18	72.6	60.2	72	12.0	10.5	41	M 10 x 30	-	1.17
													12.5		M 12 x 40	-	
													12.0		-	7/16" x 1 1/4"	
1 1/4"	280	VEFL 840	M 42 x 2.0	50.8	25/28	58.72	79	30.18	72.6	62.2	75	13.5	10.5	41	M 10 x 30	-	1.19
													12.5		M 12 x 40	-	
													12.0		-	7/16" x 1 1/4"	
1 1/4"	280	VEFL 841	M 52 x 2.0	50.8	28	58.72	79	30.18	72.6	66.6	81	16.0	10.5	46	M 10 x 30	-	1.39
													12.5		M 12 x 40	-	
													12.0		-	7/16" x 1 1/4"	
1 1/4"	160	VEFL 842	M 52 x 2.0	60.3	36	69.85	94	35.71	82.2	64.2	76	11.0	13.5	46	M 12 x 40	7/16" x 1 1/4"	1.34
1 1/4"	210	VEFL 843	M 52 x 2.0	60.3	32	69.85	94	35.71	82.2	70.2	85	16.0	13.5	46	M 12 x 40	7/16" x 1 1/4"	1.50



SAE-METRIC THREADED FLANGE DIN 3901/3902

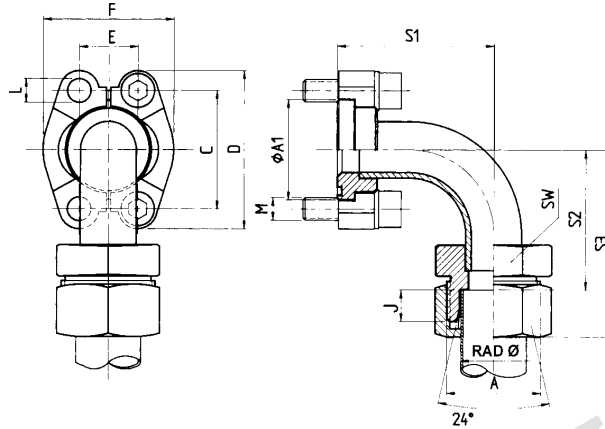


Material: 1 9SMnPb28K/C15.....mild steel - zinc plated, yellow chromated
 2. 1.4571, 316Ti.....stainless steel

6.000 Series																	
Size	Maximum Working Pressure kg/cm ²	VE-LOCK® ITEM CODE	A	A ₁	B	C	D	E	F	G ₁	G ₂	J	L	SW	M (Screws)		Weight kg
															Metric	UNC	
1/2"	400	VEFL 844	M 24 x 1.5	31.7	12	40.49	56	18.24	47.2	53.2	63	8.5	8.5	24	M 8 x 30	5/16" x 1 1/4"	0.46
3/4"	400	VEFL 845	M 24 x 1.5	41.3	12	50.80	71	23.80	60.0	59.2	69	8.5	10.5	30	M 10 x 35	3/8" x 1 1/2"	0.78
3/4"	400	VEFL 846	M 30 x 2.0	41.3	16	50.80	71	23.80	60.0	61.2	72	10.5	10.5	30	M 10 x 35	3/8" x 1 1/2"	0.84
3/4"	400	VEFL 847	M 36 x 2.0	41.3	17	50.80	71	23.80	60.0	63.2	75	12.0	10.5	30	M 10 x 35	3/8" x 1 1/2"	0.96
3/4"	400	VEFL 848	M 42 x 2.0	41.3	18	50.80	71	23.80	60.0	64.0	77	13.5	10.5	36	M 10 x 35	3/8" x 1 1/2"	1.20
1"	400	VEFL 849	M 36 x 2.0	47.6	20	57.15	81	27.76	69.6	72.2	84	12.0	12.0	41	-	7/16" x 1 3/4"	1.42
													12.5		M 12 x 45	-	
1"	400	VEFL 850	M 42 x 2.0	47.6	24	57.15	81	27.76	69.6	74.0	87	13.5	12.0	41	-	7/16" x 1 3/4"	1.52
													12.5		M 12 x 45	-	
1 1/4"	400	VEFL 851	M 42 x 2.0	54.0	25/30	66.68	95	31.75	77.2	79.2	92	13.5	13.5	41	-	1/2" x 1 3/4"	1.93
													14.5		M 14 x 50	-	
1 1/4"	350	VEFL 852	M 52 x 2.0	54.0	30	66.68	95	31.75	77.2	83.2	98	16.0	13.5	46	-	1/2" x 1 3/4"	2.08
													14.5		M 14 x 50	-	
1 1/2"	350	VEFL 853	M 52 x 2.0	63.5	30	79.38	113	36.50	95.0	89.2	104	16.0	16.75	46	M 16 x 55	1/2" x 1 3/4"	3.03



SAE-90°SWEPT ELBOW- TO DIN 3901/3902

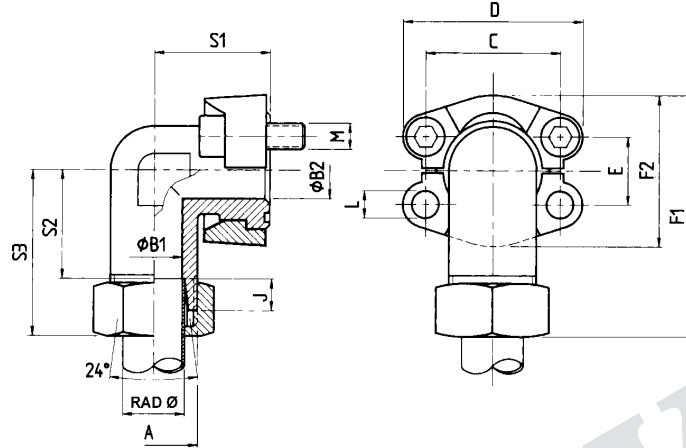


Material: 1 9SMnPb28K/C15.....mild steel - zinc plated, yellow chromated
 2. 1.4571, 316Ti.....stainless steel

3.000 Series																
Size	VE-LOCK® ITEM CODE	A	ØA1	C	D	E	F	J	S ₁	S ₂	S ₃	SW	L	M (Screws)		Weight (adaptor only) kg
														Metric	UNC	
1/2"	VEFL 854	M 22 x 1.5	30.2	38.10	54	17.48	45.6	7.0	40	43.0	58.0	22	8.5	M 8 x 30	5/16" x 1 1/4"	0.14
1/2"	VEFL 855	M 24 x 1.5	30.2	38.10	54	17.48	45.6	7.5	40	42.5	60.0	24	8.5	M 8 x 30	5/16" x 1 1/4"	0.15
3/4"	VEFL 856	M 30 x 2.0	38.1	47.63	65	22.23	51.8	7.5	59	63.5	80.0	30	10.5	M 10 x 35	3/8" x 1 1/2"	0.29
1"	VEFL 857	M 36 x 2.0	44.4	52.37	70	26.19	58.4	7.5	68	75.5	80.0	36	10.5	M 10 x 35	3/8" x 1 1/2"	0.43
1"	VEFL 858	M 36 x 2.0	44.4	52.37	70	26.19	58.4	12.0	68	71.0	95.0	36	10.5	M 10 x 35	3/8" x 1 1/2"	0.38
1"	VEFL 859	M 42 x 2.0	44.4	52.37	70	26.19	58.4	13.5	68	69.5	96.0	46	10.5	M 10 x 35	3/8" x 1 1/2"	0.55
1 1/4"	VEFL 860	M 45 x 2.0	50.8	58.72	79	30.18	72.6	10.5	86	94.5	116.0	46	10.5	M 10 x 30	-	0.76
													12.5	M 12 x 40	-	
													12.0	-	7/16" x 1 1/2"	
1 1/4"	VEFL 861	M 42 x 2.0	50.8	58.72	79	30.18	72.6	13.5	80	102.0	128.5	46	10.5	M 10 x 30	-	0.83
													12.5	M 12 x 40	-	
													12.0	-	7/16" x 1 1/2"	
1 1/2"	VEFL 862	M 52 x 2.0	60.3	69.85	94	35.71	82.6	11.0	98	104.0	127.0	55	13.5	M 12 x 35	1/2" x 1 1/2"	0.99
1 1/2"	VEFL 863	M 52 x 2.0	60.3	69.85	94	35.71	82.6	16.0	98	99.0	130.0	55	13.5	M 12 x 35	1/2" x 1 1/2"	0.95
6.000 Series																
1/2"	VEFL 864	M 24 x 1.5	31.8	40.49	56	18.24	47.2	8.5	40	41.5	60.0	24	8.5	M 8 x 30	5/16" x 1 1/4"	0.16
3/4"	VEFL 865	M 36 x 2.0	41.3	50.80	71	23.80	60.0	12.0	62	59.0	83.0	36	10.5	M 10 x 35	3/8" x 1 1/2"	0.37
3/4"	VEFL 866	M 42 x 2.0	41.3	50.80	71	23.80	60.0	13.5	62	57.5	84.0	46	10.5	M 10 x 35	3/8" x 1 1/2"	0.49
1"	VEFL 867	M 36 x 2.0	47.6	57.15	81	27.76	69.6	12.0	74	73.0	97.0	36	12.5	M 12 x 45	-	0.43
													12.0	-	7/16" x 1 3/4"	
1"	VEFL 868	M 42 x 2.0	47.6	57.15	81	27.76	69.6	13.5	74	71.5	98.0	46	12.5	M 12 x 45	-	0.59
													12.0	-	7/16" x 1 3/4"	
1 1/4"	VEFL 869	M 52 x 2.0	54.0	66.68	95	31.75	77.2	16.0	96	91.0	122.0	55	13.5	-	1/2" x 1 3/4"	0.95
													14.5	M 14 x 50	-	
1 1/2"	VEFL 870	M 52 x 2.0	63.5	79.38	113	36.50	95.0	16.0	111	91.0	122.0	55	16.75	M 16 x 55	5/8" x 2"	1.13



SAE-90° COMPACT ELBOW- METRIC TO DIN 3901/3902

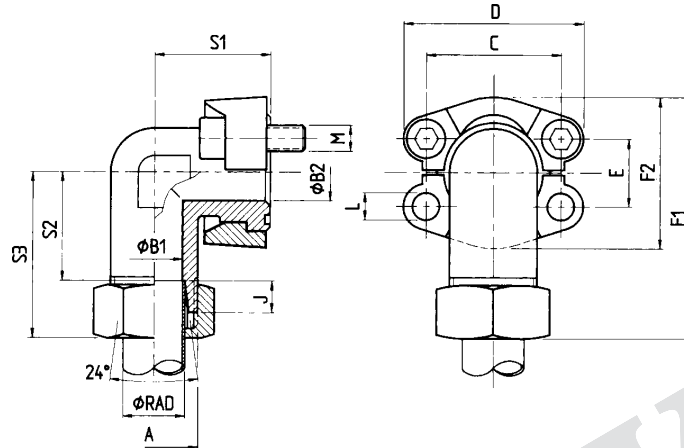


- Material: 1 ST 52.3 (FE 510).....carbon steel - zinc plated, yellow chromated
 2. 1.4571 316T.....stainless steel

3.000 Series																
Size	VE-LOCK® ITEM CODE	A	B ₁	B ₂	C	D	E	F ₁	F ₂	J	ØL	S ₁	S ₂	S ₃	M	Weight kg
1/2"	VEFL 871	M 22 x 1.5	12	11	38.10	54.0	17.48	66.8	45.6	7.0	8.5	39	29.0	44	M 8 x 30	0.39
1/2"	VEFL 872	M 24 x 1.5	12	11	38.10	54.0	17.48	70.8	45.6	8.5	8.5	39	29.5	48	M 8 x 30	0.43
3/4"	VEFL 873	M 26 x 1.5	15	19	47.63	64.9	22.23	73.9	51.8	7.5	10.5	42	31.5	48	M 10 x 35	0.63
3/4"	VEFL 874	M 30 x 2.0	19	19	47.63	64.9	22.23	75.9	51.8	7.5	10.5	42	33.5	50	M 10 x 35	0.66
3/4"	VEFL 875	M 30 x 2.0	16	19	47.63	64.9	22.23	79.9	51.8	10.5	10.5	42	32.5	54	M 10 x 35	0.71
3/4"	VEFL 876	M 36 x 2.0	17	19	47.63	64.9	22.23	82.9	51.8	12.0	10.5	42	33.0	57	M 10 x 35	0.84
1"	VEFL 877	M 36 x 2.0	24	25	52.37	69.9	26.19	82.9	58.4	7.5	10.5	45	36.5	53	M 10 x 35	0.82
1"	VEFL 878	M 36 x 2.0	20	25	52.37	69.9	26.19	91.2	58.4	12.0	10.5	45	38.0	62	M 10 x 35	0.94
1"	VEFL 879	M 42 x 2.0	24	25	52.37	69.9	26.19	92.2	58.4	13.5	10.5	45	36.5	63	M 10 x 35	1.02
1 1/4"	VEFL 880	M 45 x 2.0	30	27	58.72	79.4	30.18	104.3	72.6	10.5	10.5	50	46.5	68	M 10 x 30	1.19
											12.5				M 12 x 40	
1 1/4"	VEFL 881	M 36 x 2.0	20	27	58.72	79.4	30.18	103.3	72.6	12.0	10.5	50	43.0	67	M 10 x 30	1.40
											12.5				M 12 x 40	
1 1/4"	VEFL 882	M 42 x 2.0	25	27	58.72	79.4	30.18	106.3	72.6	13.5	10.5	50	43.5	70	M 10 x 30	1.48
											12.5				M 12 x 40	
1 1/2"	VEFL 883	M 52 x 2.0	28	27	58.72	79.4	30.18	110.3	72.6	16.0	10.5	50	43.0	74	M 10 x 30	1.55
											12.5				M 12 x 40	
1 1/2"	VEFL 884	M 52 x 2.0	36	36	69.85	93.8	35.71	118.2	82.4	11.0	13.5	76	56.0	77	M 12 x 40	1.97
1 1/2"	VEFL 885	M 52 x 2.0	32	36	69.85	93.8	35.71	128.2	82.4	16.0	13.5	76	56.0	87	M 12 x 40	2.12



SAE-FLANGE ADAPTRO 90° - METRIC TO DIN 3901/3902



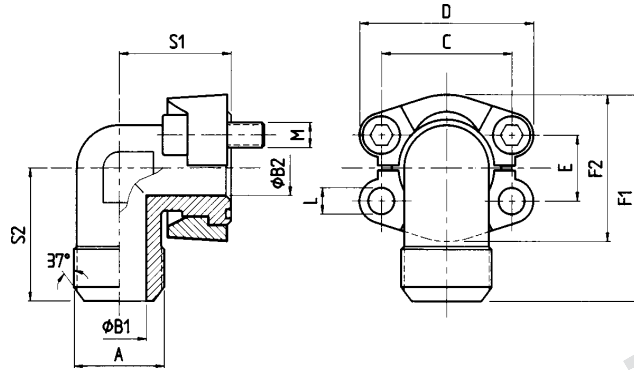
Material: 1 ST 52.3 (FE 510).....Carbon Steel
 2. 1.4571 316T.....Stainless Steel

6.000 Series

Size	VE-LOCK® ITEM CODE	A	B ₁	B ₂	C	D	E	F ₁	F ₂	J	ØL	S ₁	S ₂	S ₃	M	Weight kg
1/2"	VEFL 886	M 24 X 1.5	12	12	40.49	56.4	18.24	71.6	47.2	8.5	8.5	39	29.4	48	M 8 X 30	0.69
3/4"	VEFL 887	M 24 X 1.5	12	17	50.80	71.3	23.80	85.0	60.0	8.5	10.5	48	36.5	55	M 10 X 35	0.92
3/4"	VEFL 888	M 30 X 2.0	16	17	50.80	71.3	23.80	87.0	60.0	10.5	10.5	48	35.5	57	M 10 X 35	0.96
3/4"	VEFL 889	M 36 X 2.0	17	17	50.80	71.3	23.80	90.0	60.0	12.0	10.5	48	36.0	60	M 10 X 35	1.09
1"	VEFL 890	M 36 X 2.0	20	24	57.15	81.0	27.76	99.8	69.0	12.0	12.5	60	41.0	65	M 12 X 45	1.60
1"	VEFL 891	M 42 X 2.0	24	24	57.15	81.0	27.76	102.85	69.0	13.5	12.5	60	41.5	68	M 12 X 45	1.70
1 1/4"	VEFL 892	M 42 X 2.0	25	31	66.68	95.2	31.75	109.6	77.2	13.5	14.5	68	44.5	71	M 14 X 50	2.22
1 1/4"	VEFL 893	M 52 X 2.0	28	31	66.68	95.2	31.75	114.6	77.2	16.0	14.5	68	45.0	76	M 14 X 50	2.32
1 1/2"	VEFL 894	M 52 X 2.0	30	36	79.38	112.8	36.50	134.5	95.0	16.0	16.5	76	56.0	87	M 16 X 55	3.55



SAE - 90° COMPACT ELBOW JIC MALE

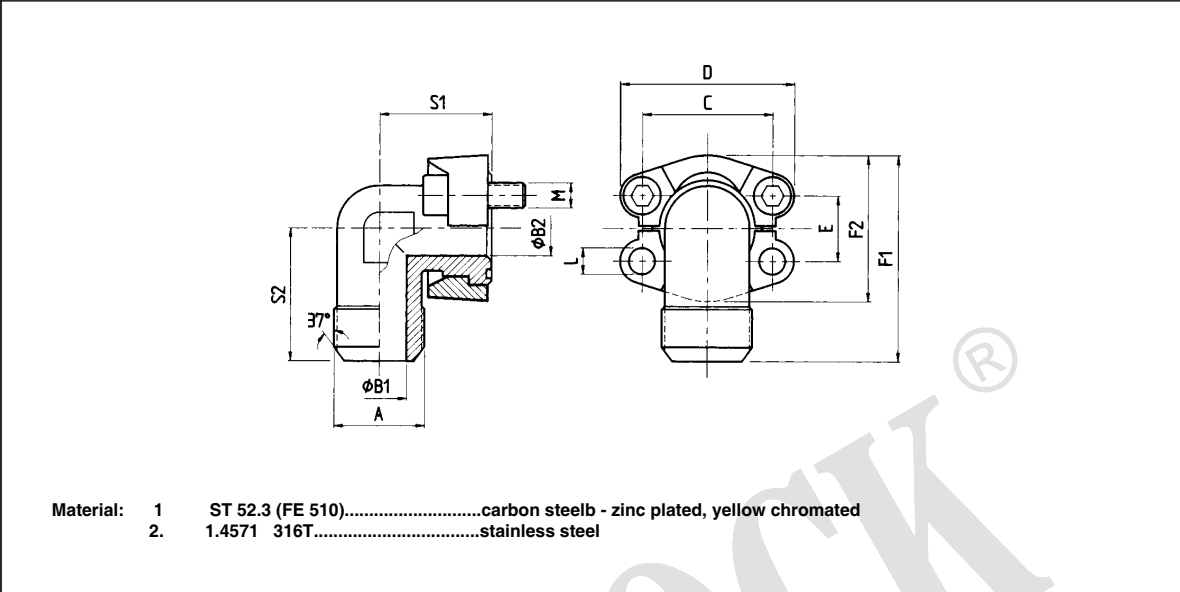


- Material: 1 ST 52.3 (FE 510).....carbon steel - zinc plated, yellow chromated.
 2. 1.4571 316T.....stainless steel

3.000 Series															
Size	VE-LOCK ITEM CODE	A	B ₁	B ₂	C	D	E	F ₁	F ₂	S ₁	S ₂	ØL	M (Screws)		Weight kg
													Metric	UNC	
1/2"	VEFL 895	3/4" -16 JIC	9.9	13	38.10	54	17.48	60.8	45.6	38	38	8.5	M 8 x 30	5/16" x 1 1/4"	0.34
1/2"	VEFL 896	7/8" -14 JIC	12.3	13	38.10	54	17.48	60.8	45.6	38	38	8.5	M 8 x 30	5/16" x 1 1/4"	0.40
3/4"	VEFL 897	7/8" -14 JIC	12.3	19	47.63	65	22.23	70.9	51.8	42	45	10.5	M 10 x 35	3/8" x 1 1/2"	0.60
3/4"	VEFL 898	1 1/16" -12 JIC	15.5	19	47.63	65	22.23	70.9	51.8	42	45	10.5	M 10 x 35	3/8" x 1 1/2"	0.63
3/4"	VEFL 899	1 5/16" -12 JIC	21.5	19	47.63	65	22.23	70.9	51.8	42	45	10.5	M 10 x 35	3/8" x 1 1/2"	0.66
1"	VEFL 900	1 1/16" -12 JIC	15.5	24	52.37	70	26.19	79.2	58.4	45	50	10.5	M 10 x 35	3/8" x 1 1/2"	0.80
1"	VEFL 901	1 5/16" -12 JIC	21.5	24	52.37	70	26.19	79.2	58.4	45	50	10.5	M 10 x 35	3/8" x 1 1/2"	0.85
1"	VEFL 902	1 5/8" -12 JIC	27.5	24	52.37	70	26.19	79.2	58.4	45	50	10.5	M 10 x 35	3/8" x 1 1/2"	0.89
1 1/4"	VEFL 903	1 5/16" -12 JIC	21.5	31	58.72	79	30.18	85.3	72.6	50	59	10.5	M 10 x 30	-	1.16
												12.5	M 12 x 30	-	
												12.0	-	7/16" x 1 1/2"	
1 1/4"	VEFL 904	1 5/8" -12 JIC	27.5	31	58.72	79	30.18	85.3	72.6	50	59	*1	*2	7/16" x 1 1/2"	1.27
1 1/2"	VEFL 905	1 5/8" -12 JIC	27.5	38	69.85	94	35.71	117.1	82.2	76	76	13.5	M 12 x 40	1/2" x 1 1/2"	1.90
1 1/2"	VEFL 906	1 7/8" -12 JIC	33.0	38	69.85	94	35.71	117.1	82.2	76	76	13.5	M 12 x 40	1/2" x 1 1/2"	2.05



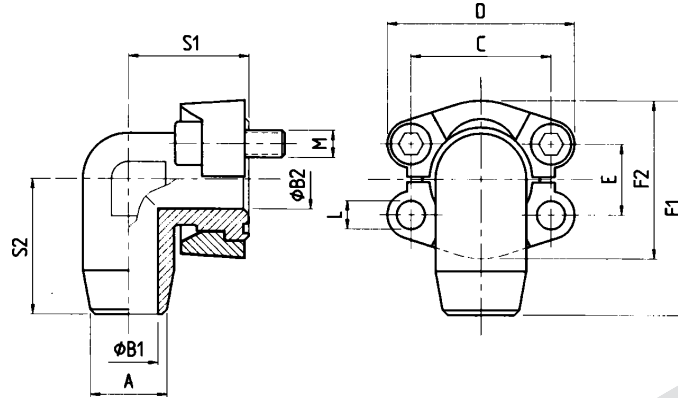
SAE - 90° COMPACT ELBOW - JIC MALE



6.000 Series															
Size	VE-LOCK® ITEM CODE	A	B ₁	B ₂	C	D	E	F ₁	F ₂	S ₁	S ₂	ØL	M (Screws)		Weight kg
													Metric	UNC	
1/2"	VEFL 907	3/4" -16 JIC	9.9	13	40.49	56	18.24	61.6	47.2	39	38	8.5	M 8 x 30	5/16" x 1 1/4"	0.37
1/2"	VEFL 908	7/8" -14 JIC	12.3	13	40.49	56	18.24	61.6	47.2	39	38	8.5	M 8 x 30	5/16" x 1 1/4"	0.45
3/4"	VEFL 909	7/8" -14 JIC	12.3	17	50.80	71	23.80	78.0	60.0	48	48	10.5	M 10 x 35	3/8" x 1 1/2"	0.88
3/4"	VEFL 910	1 1/16" -12 JIC	15.5	17	50.80	71	23.80	78.0	60.0	48	48	10.5	M 10 x 35	3/8" x 1 1/2"	0.97
3/4"	VEFL 911	1 5/16" -12 JIC	21.5	17	50.80	71	23.80	78.0	60.0	48	48	10.5	M 10 x 35	3/8" x 1 1/2"	1.02
1"	VEFL 912	1 1/16" -12 JIC	15.5	24	57.15	81	27.76	99.0	69.9	60	60	12.0	M 12 x 45	-	1.46
												12.5	-	7/16" x 1 3/4"	
1"	VEFL 913	1 5/16" -12 JIC	21.5	24	57.15	81	27.76	99.0	69.9	60	60	12.0	M 12 x 45	-	1.57
												12.5	-	7/16" x 1 3/4"	
1"	VEFL 914	1 5/8" -12 JIC	27.5	24	57.15	81	27.76	99.0	69.9	60	60	12.0	M 12 x 45	-	1.70
												12.5	-	7/16" x 1 3/4"	
1 1/4"	VEFL 915	1 5/16" -12 JIC	21.5	30	66.68	95	31.75	115.5	77.2	68	68	13.5	M 14 x 50	-	2.20
												14.5	-	1/2" x 1 3/4"	
1 1/4"	VEFL 916	1 5/8" -12 JIC	27.5	30	66.68	95	31.75	115.5	77.2	68	68	13.5	M 14 x 50	-	2.30
												14.5	-	1/2" x 1 3/4"	
1 1/4"	VEFL 917	1 7/8" -12 JIC	33.0	30	66.68	95	31.75	115.5	77.2	68	68	13.5	M 14 x 50	-	2.45
												14.5	-	1/2" x 1 3/4"	
1 1/2"	VEFL 918	1 5/8" -12 JIC	27.5	32	79.38	113	36.50	133	95.0	76	76	16.5	M 16 x 55	5/8" x 2"	3.08
1 1/2"	VEFL 919	1 7/8" -12 JIC	33.0	32	79.38	113	36.50	133	95.0	76	76	16.5	M 16 x 55	5/8" x 2"	3.45



SAE-WELD ON FLANGE ADAPTOR 90° FOR METRIC PIPES

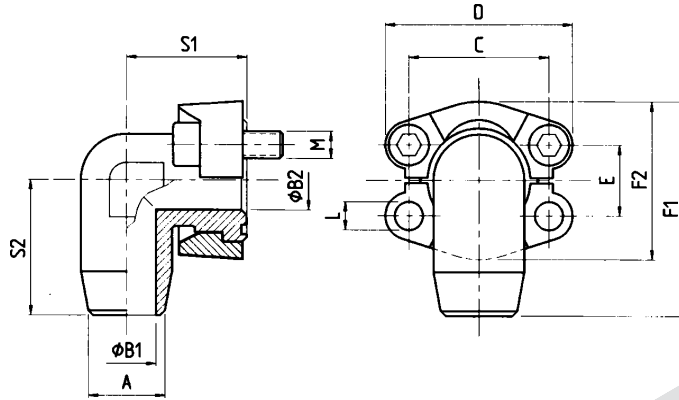


- Material: 1 ST 52.3 (FE 510).....carbon steel
 2. 1.4571 316T.....stainless steel

3.000 Series															
Size	VE-LOCK® ITEM CODE	A	B ₁	B ₂	C	D	E	F ₁	F ₂	S ₁	S ₂	ØL	M (Screws)		Weight kg
													Metric	UNC	
1/2"	VEFL 920	15	11	11	38.10	54	17.48	60.8	45.6	39	38	8.5	M 8 x 30	5/16" x 1 1/4"	0.36
1/2"	VEFL 921	16	10	10	38.10	54	17.48	60.8	45.6	39	38	8.5	M 8 x 30	5/16" x 1 1/4"	0.37
3/4"	VEFL 922	18	15	19	47.63	64.9	22.23	70.9	51.8	42	45	10.5	M 10 x 35	3/8" x 1 1/2"	0.57
3/4"	VEFL 923	20	14	17	47.63	64.9	22.23	70.9	51.8	42	45	10.5	M 10 x 35	3/8" x 1 1/2"	0.58
3/4"	VEFL 924	22	18	19	47.63	64.9	22.23	70.9	51.8	42	45	10.5	M 10 x 35	3/8" x 1 1/2"	0.59
3/4"	VEFL 925	25	17	17	47.63	64.9	22.23	70.9	51.8	42	45	10.5	M 10 x 35	3/8" x 1 1/2"	0.64
1"	VEFL 926	25	19	21	52.37	69.9	26.19	79.2	58.4	45	50	10.5	M 10 x 35	3/8" x 1 1/2"	0.77
1"	VEFL 927	28	24	25	52.37	69.9	26.19	79.2	58.4	45	50	10.5	M 10 x 35	3/8" x 1 1/2"	0.79
1"	VEFL 928	30	21	21	52.37	69.9	26.19	79.2	58.4	45	50	10.5	M 10 x 35	3/8" x 1 1/2"	0.84
1 1/4"	VEFL 929	25	19	27	58.72	79.4	30.18	85.3	72.6	50	59	10.5	M 10 x 30	-	1.13
												12.5	M 12 x 40	-	
												12.0	-	7/16" x 1 1/2"	
1 1/4"	VEFL 930	30	22	27	58.72	79.4	30.18	85.3	72.6	50	59	10.5	M 10 x 30	-	1.17
												12.5	M 12 x 40	-	
												12.0	-	7/16" x 1 1/2"	
1 1/4"	VEFL 931	35	31	32	58.72	79.4	30.18	85.3	72.6	50	59	10.5	M 10 x 30	-	1.18
												12.5	M 12 x 40	-	
												12.0	-	7/16" x 1 1/2"	
1 1/4"	VEFL 932	38	28	27	58.72	79.4	30.18	85.3	72.6	50	59	10.5	M 10 x 30	-	1.37
												12.5	M 12 x 40	-	
												12.0	-	7/16" x 1 1/2"	
1 1/2"	VEFL 933	38	30	32	69.85	93.8	35.71	117.1	82.2	76	76	13.5	M 12 x 40	1/2" x 1 1/2"	1.95
1 1/2"	VEFL 934	42	36	36	69.85	93.8	35.71	117.1	82.2	76	76	13.5	M 12 x 40	1/2" x 1 1/2"	2.04



SAE-WELD ON FLANGE ADAPTOR 90° FOR METRIC PIPES

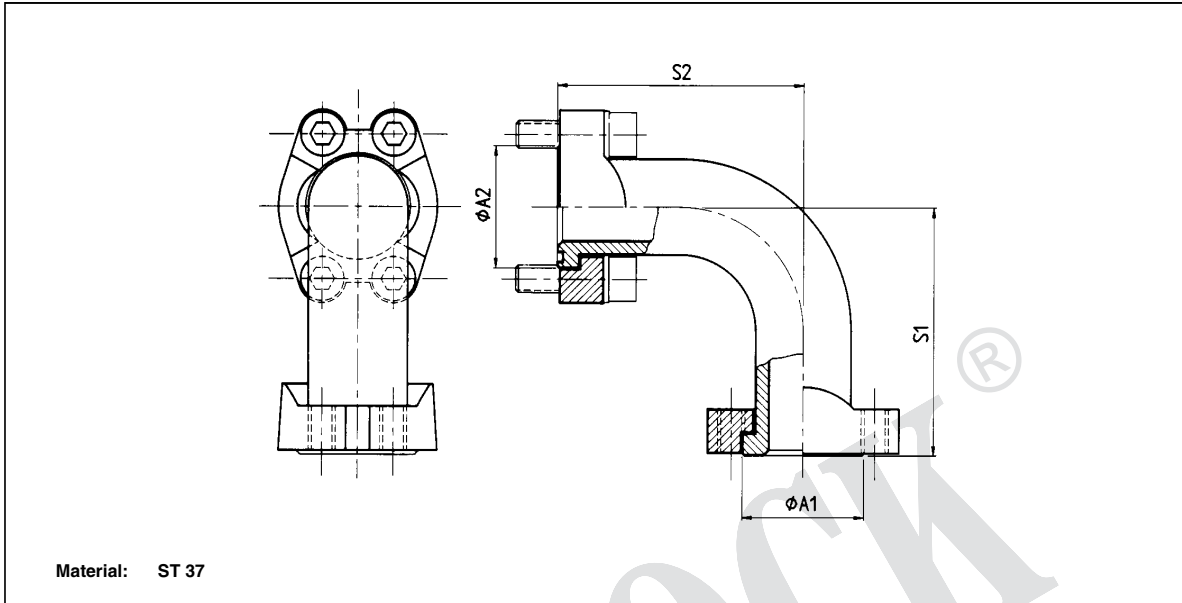


- Material: 1 ST 52.3 (FE 510).....carbon steel
 2. 1.4571 316T.....stainless steel

6.000 Series															
Size	VE-LOCK® ITEM CODE	A	B ₁	B ₂	C	D	E	F ₁	F ₂	S ₁	S ₂	ØL	M (Screws)		Weight kg
													Metric	UNC	
1/2"	VEFL 935	16	10	10	40.49	56	18.24	61.6	47.2	39	38	8.5	M 8 x 35	5/16" x 1 1/4"	0.48
3/4"	VEFL 936	16	10	17	50.80	71	23.80	78.0	60.0	48	48	10.5	M 10 x 35	3/8" x 1 1/2"	0.83
3/4"	VEFL 937	20	12	17	50.80	71	23.80	78.0	60.0	48	48	10.5	M 10 x 35	3/8" x 1 1/2"	0.87
3/4"	VEFL 938	25	15	17	50.80	71	23.80	78	60	48	48	10.5	M 10 x 35	3/8" x 1 1/2"	0.96
1"	VEFL 939	25	15	20	57.15	81	27.76	94.0	69.6	60	60	12.0	-	7/16" x 1 3/4"	1.35
												12.5	M 12 x 45	-	
1"	VEFL 940	30	22	25	57.15	81	27.76	94	69.6	60	60	12.0	-	7/16" x 1 3/4"	1.40
												12.5	M 12 x 45	-	
1"	VEFL 941	30	18	20	57.15	81	27.76	94	69.6	60	60	12.0	-	7/16" x 1 3/4"	1.53
												12.5	M 12 x 45	-	
1 1/4"	VEFL 942	30	22	27	66.68	95	31.75	106.6	77.2	68	68	13.5	-	1/2" x 1 3/4"	2.10
												14.5	M 14 x 50	-	
1 1/4"	VEFL 943	38	28	30	66.68	95	31.75	106.6	77.2	68	68	13.5	-	1/2" x 1 3/4"	2.36
												14.5	M 14 x 50	-	
1 1/4"	VEFL 944	38	22	24	66.68	95	31.75	106.6	77.2	68	68	13.5	-	1/2" x 1 3/4"	2.45
												14.5	M 14 x 50	-	
1 1/2"	VEFL 945	38	28	32	79.38	113	36.50	123.5	95.0	76	76	16.5	M 16 x 55	5/8" x 2"	3.25
1 1/2"	VEFL 946	38	22	26	79.38	113	36.50	123.5	95	76	76	16.5	M 16 x 55	5/8" x 2"	3.38



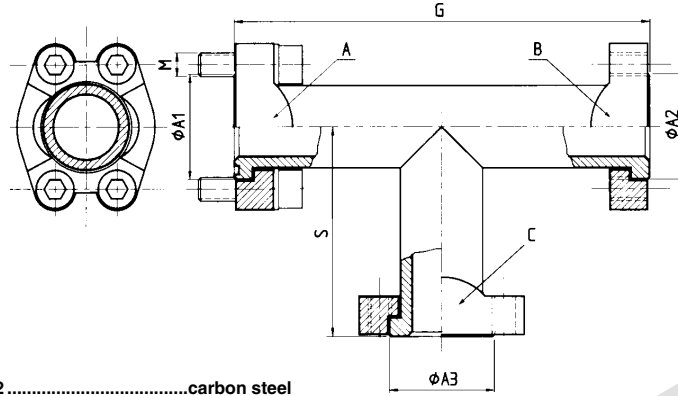
SAE-90°SWEPT ELBOW



3.000 Series						
Size	VE-LOCK® ITEM CODE	A ₁	A ₂	S ₁	S ₂	Weight kg
1/2"	VEFL 947	30.2	30.2	70	70	0.65
3/4"	VEFL 948	38.1	38.1	80	80	0.90
1"	VEFL 949	44.4	44.4	90	90	1.15
1 1/4"	VEFL 950	50.8	50.8	103	103	1.50
1 1/2"	VEFL 951	60.3	60.3	115	115	2.55
2"	VEFL 952	71.4	71.4	135	135	2.79
2 1/2"	VEFL 953	84.1	84.1	155	155	3.20
3"	VEFL 954	101.6	101.6	175	175	4.60
3 1/2"	VEFL 955	114.3	114.3	175	175	5.12
4"	VEFL 956	127.0	127.0	215	215	6.25
5"	VEFL 957	152.4	152.4	250	250	7.65



SAE - T CONNECTION



Material: ST37/ST52carbon steel

VE-LOCK® ITEM CODE	Connection A			Connection B		Connection C		G	L	Weight kg
	Size	A ₁	M	Size	A ₂	Size	A ₃			
VEFL 958	1/2"	30.2	M 8 x 30	1/2"	30.2	1/2"	30.2	133	67	0.97
VEFL 959	3/4"	38.1	M 10 x 35	3/4"	38.1	3/4"	38.1	160	80	1.20
VEFL 960	3/4"	38.1	M 10 x 35	3/4"	38.1	3/4"	38.2	160	67	1.14
VEFL 961	1"	44.4	M 10 x 35	1"	44.4	1"	44.4	177	88	1.63
VEFL 962	1"	44.4	M 10 x 35	1"	44.4	3/4"	38.1	177	80	1.50
VEFL 963	1"	44.4	M 10 x 35	1"	44.4	1/2"	30.2	177	67	1.39
VEFL 964	1 1/4"	50.8	M 10 x 30	1 1/4"	50.8	1 1/4"	50.8	208	103	2.25
VEFL 965	1 1/4"	50.8	M 10 x 30	1 1/4"	50.8	1"	44.4	208	88	2.05
VEFL 966	1 1/4"	50.8	M 10 x 30	1 1/4"	50.8	3/4"	38.1	208	80	1.94
VEFL 967	1 1/2"	60.3	M 12 x 35	1 1/2"	60.3	1 1/2"	60.3	230	114	3.50
VEFL 968	1 1/2"	60.3	M 12 x 35	1 1/2"	60.3	1 1/4"	50.8	230	103	3.03
VEFL 969	1 1/2"	60.3	M 12 x 35	1 1/2"	60.3	1"	44.4	230	88	2.94
VEFL 970	2"	71.4	M 12 x 35	2"	71.4	2"	71.4	244	122	4.20
VEFL 971	2"	71.4	M 12 x 35	2"	71.4	1 1/2"	60.3	244	118	4.05
VEFL 972	2"	71.4	M 12 x 35	2"	71.4	1 1/4"	50.8	244	115	3.87
VEFL 973	2 1/2"	84.1	M 12 x 40	2 1/2"	84.1	2 1/2"	84.1	270	135	4.70
VEFL 974	2 1/2"	84.1	M 12 x 40	2 1/2"	84.1	2"	74.1	270	128	4.30
VEFL 975	2 1/2"	84.1	M 12 x 40	2 1/2"	84.1	1 1/2"	60.3	270	125	4.10
VEFL 976	3"	101.6	M 16 x 50	3"	101.6	3"	101.6	293	146	8.20
VEFL 977	3"	101.6	M 16 x 50	3"	101.6	2 1/2"	84.1	293	141	7.50
VEFL 978	3"	101.6	M 16 x 50	3"	101.6	2"	71.4	293	133	7.20
VEFL 979	3 1/2"	114.3	M 16 x 50	3 1/2"	114.3	3 1/2"	114.3	293	146	9.55
VEFL 980	3 1/2"	114.3	M 16 x 50	3 1/2"	114.3	3"	101.6	293	146	9.20
VEFL 981	3 1/2"	114.3	M 16 x 50	3 1/2"	114.3	2 1/2"	84.1	293	146	8.50
VEFL 982	4"	127.0	M 16 x 50	4"	127.0	4"	127.0	332	165	12.10
VEFL 983	4"	127.0	M 16 x 50	4"	127.0	3 1/2"	114.3	332	158	11.60
VEFL 984	4"	127.0	M 16 x 50	4"	127.0	3"	101.6	332	158	10.95
VEFL 985	5"	152.4	M 16 x 50	5"	152.4	5"	152.4	370	185	14.70
VEFL 986	5"	152.4	M 16 x 50	5"	152.4	4"	127.0	370	177	13.95
VEFL 987	5"	152.4	M 16 x 50	5"	152.4	3 1/2"	114.3	370	170	13.10